



AGPump

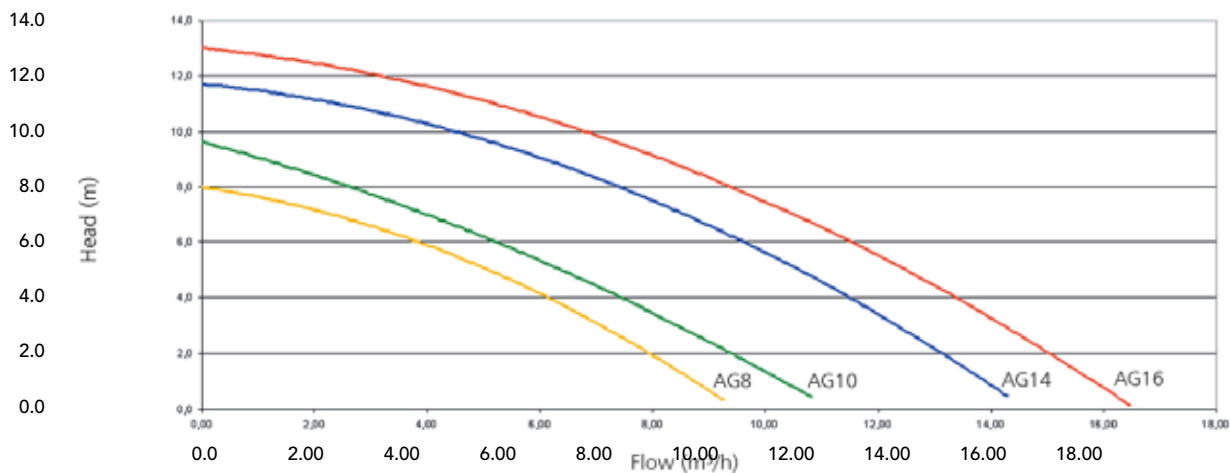
The Reliable Swimming Pool Pump

- Stainless steel AISI 316 steel shaft
- Self priming up to 1.8m
- 2 1/4" BSP external thread ports
- Small building size and silent running
- IPX5 cast aluminium motor with clear tank cover



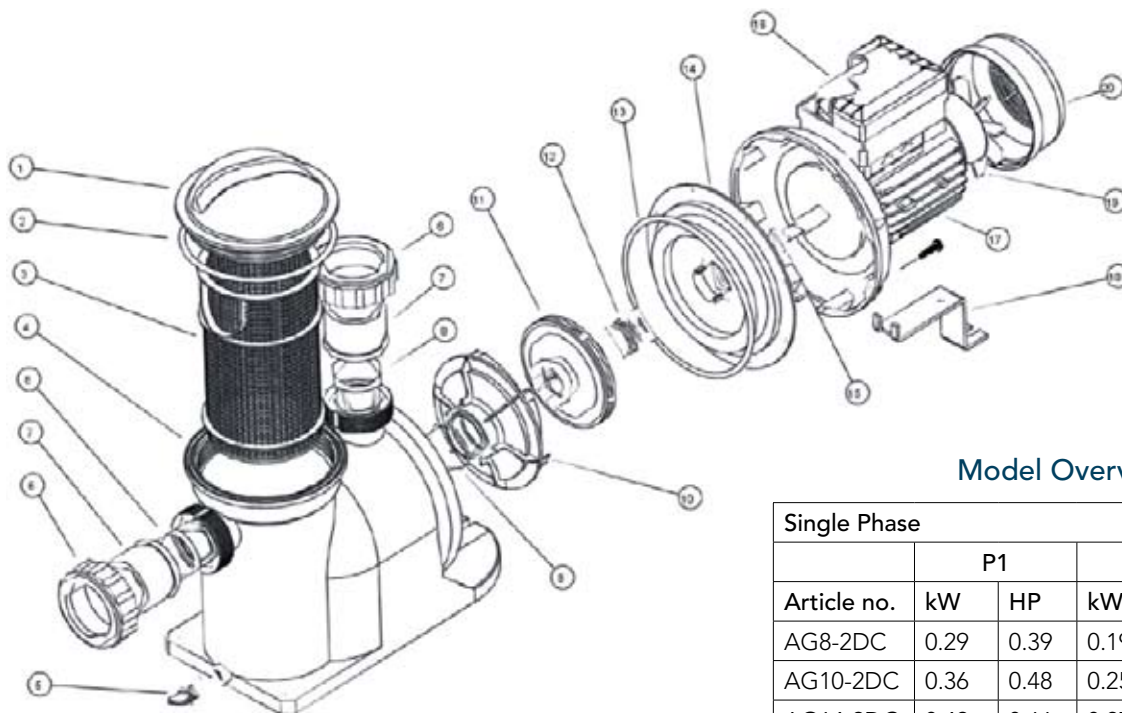
BALBOA
water group

AG Performance Curves



Spare Parts And Fittings

- | | | |
|--|--|--|
| 1. Clear lid UK01456 | 11. Impeller | AG14 40-0518 |
| 2. Lid o-ring UK00618 | AG8 UK01452 | AG16 40-0515 |
| 3. Strainer basket UK01455 | AG10 UK01451 | 17. Motor |
| 4. Tank UK01454 | AG14 UK01450 | AG8 43-0080 |
| 5. Drain plug incl. o-ring . . UK01566 | AG16 UK01449 | AG10 43-0100 |
| 6. Union nut UK01527 | 12. Seal assembly UK01596 | AG14 43-0140 |
| 7. Union sleeve | Incl. carbon spring and ceramic part | AG16 43-0160 |
| 1.5" I.D. UK01525 | 13. Seal plate o-ring UK01457 | 18. Foot 43-00AG |
| 50mm I.D. UK01526 | 14. Seal plate UK01448 | 19. Fan 43-1081 |
| 8. Port o-ring UK00732 | 15. Slinger washer 2848600 | 20. Fan cover 43-1082 |
| 9. Diffuser o-ring UK01458 | 16. Capacitor | Single Phase |
| 10. Diffuser UK01453 | AG8 40-0508 | |
| Spare Parts & Fittings | AG10 40-0518 | |



Model Overview

Single Phase					
	P1		P2		
Article no.	kW	HP	kW	HP	V/Hz
AG8-2DC	0.29	0.39	0.19	0.25	230/50
AG10-2DC	0.36	0.48	0.25	0.33	230/50
AG14-2DC	0.49	0.66	0.37	0.50	230/50
AG16-2DC	0.67	0.90	0.49	0.66	230/50