



Designed for Safety,
Low Noise and Performance



HA7000Blower

Engineered Thermoplastic Housing Designed
for Safety, Performance & Noise Reduction.

- Silent running
- Thermal protection
- TÜV approved
- LVD & EMC approved
- Both pneumatic and electronic models
- Recommended for variable speed control



BALBOA
water group

HA7000 Air Blower for Whirlpool Baths

ARTICLE NO.	DESCRIPTION
22-7350-350W 22-7450-450W 22-7600-600W	
22-73501-350W 22-74501-450W 22-76001-600W	with pneumatic switch* with pneumatic switch* with pneumatic switch*

*Pneumatic models are preset for electronic use also.



SPECIFICATIONS

V/HZ

230V, 50Hz

CABLE

Length = 1.5 m

MOUNTING POSITION

Can be mounted horizontally and vertically.

FIXING OF BLOWER

4 fixing points.

WEIGHT

1,576 kg

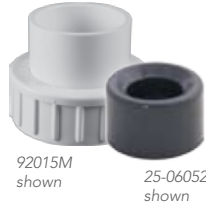
MOTOR

Class B insulation

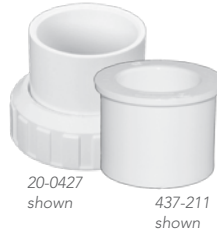
PACKAGING

Single packaging (bulk available upon request)

UNIONS



92015M & 25-06052 = 32mm union



20-0427 + 437-211 = 1" union



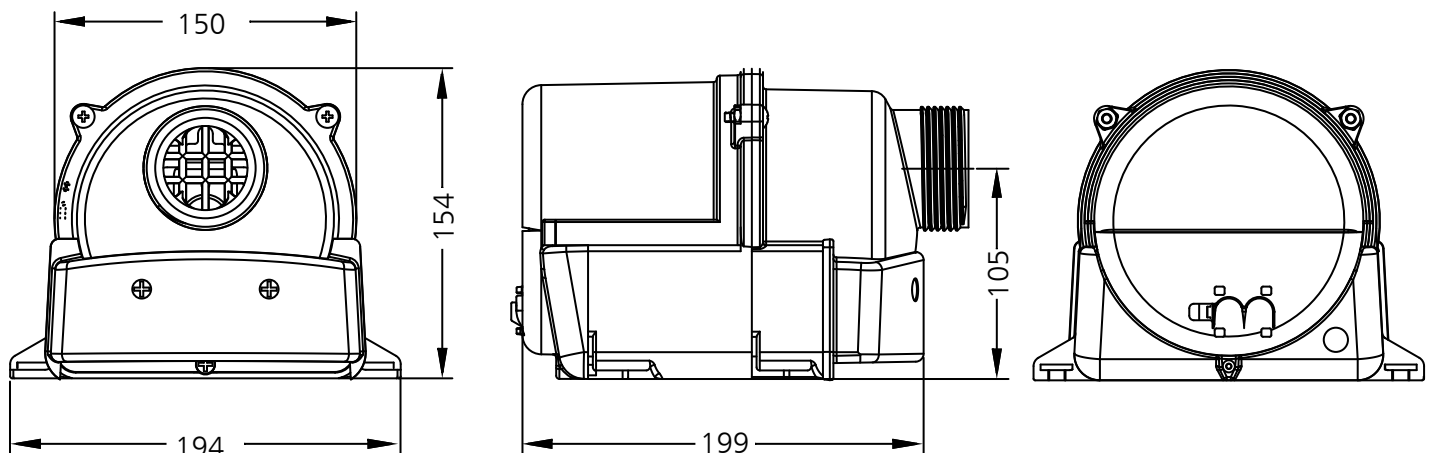
42235M = 32 mm union with check valve

42235 = 1" union with check valve

DESCRIPTION

Engineered with high performance plastics to withstand high heat and/or fire —with Fire Retardant ABS to protect against potential contact with live parts. The HA7000 blower will surprise you with its extremely low noise level and high performance!

DIMENSIONS



HA70000111

© 2011 HydroAir International. A Division of Balboa Water Group. All rights reserved.
Roustvej 50 | DK-6800 Varde | p +45 75 22 46 88 | www.hydroair.dk

