

Single-stage centrifugal pumps for water recirculation, with central suction

Applications

Water recirculation in transportable pools and spas.

Materials

Pump body and impeller in technopolymer.
 Motor mountings in anticorrosive materials.
 Motor shaft in stainless steel AISI 420.
 Mechanical seal in graphite and steatite.
 Motor housing in aluminium.
 O-rings in NBR.

Motor

Asynchronous, two poles.
 IP 55 protection.
 Class F insulation.
 Continuous operation.
 Built-in thermal protection.
 Efficiency IE2.
 Wiper0 M 4P 2/4 poles.

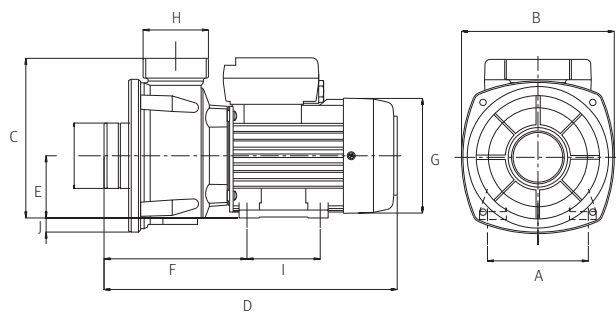
Equipment

Complete with suction and discharge connections, metric or imperial.

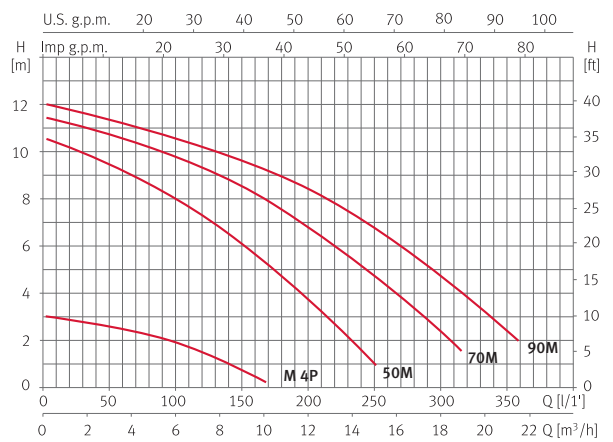


Dimensions and weights

Model	A	B	C	D	E	F	G	H	I	J	[Kg]
Wiper0 50	102	154.5	162	295.5	63	144.5	116	2 1/4"	74	15	5.7
Wiper0 70	102	154.5	162	295.5	63	144.5	116	2 1/4"	74	15	6
Wiper0 90	102	154.5	162	295.5	63	144.5	116	2 1/4"	74	15	6.8
Wiper M 4P	102	154.5	162	295.5	63	144.5	116	2 1/4"	74	15	6.8



Performance curves at 2900 rpm



Hydraulic performance table

Model	I [A]	P1 [kW]	P2		c [μF]	l/min m³/h	25	50	100	150	200	250	300	350
	1~ 230 V	1~ 230 V	[kW]	[HP]			1.5	3.0	6.0	9.0	12	15	18	21
Wiper0 50	2.3	0.5	0.24	0.33	12	mwc	10	9.4	7.9	6	3.6	1		
Wiper0 70	2.9	0.64	0.37	0.5	12		11	10.6	9.7	8.5	6.6	4.5	2.2	
Wiper0 90	3.74	0.85	0.74	1	12		11.7	11.3	10.5	9.6	8.4	6.7	4.6	2.2
Wiper M 4P	0.47	0.11	0.74	1	12		2.8	2.6	2.1	1.2				