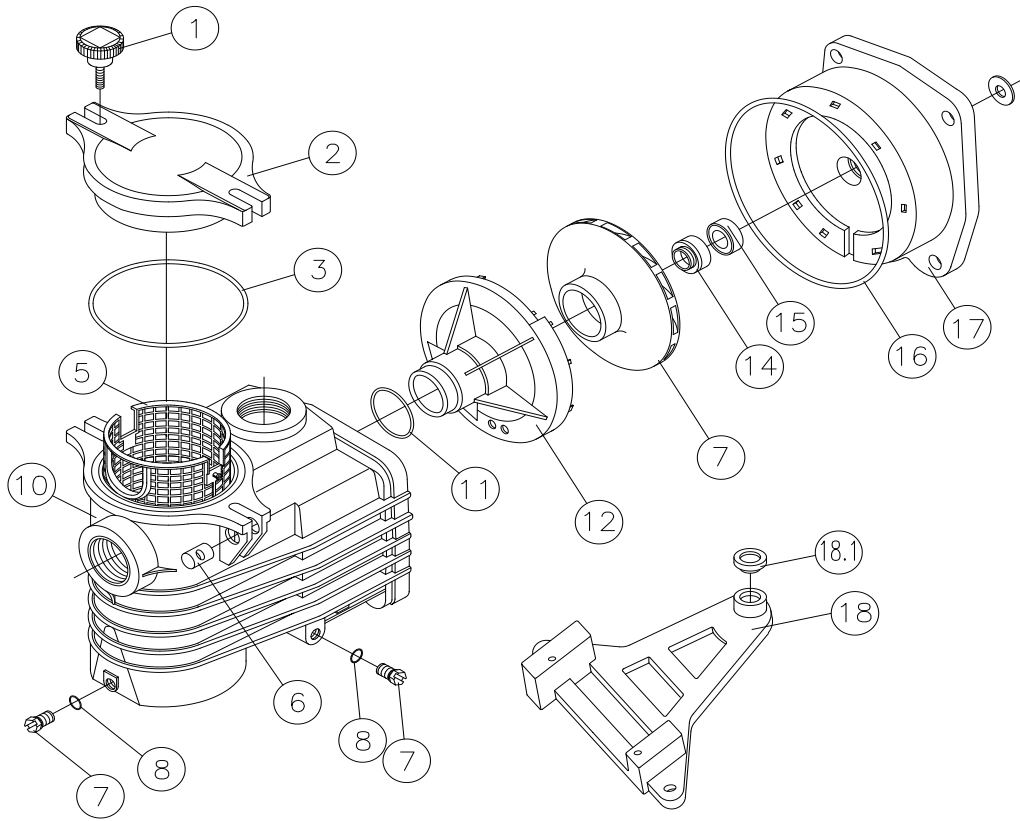


ONDINA (OK)



| REF. | DENOMINACIÓN DESIGNATION | COMPOSICIÓN COMPOUND BY | CAJA UD. / QTY. BOX |
|-------------|--|--|---------------------------|
| RBH0000.00R | Conjunto Desagüe / Drain set | - Nº7 (10uds./units) - Nº8 (10uds./units) | - |
| RBH0001.01R | Conjunto Palomilla / Cover screw set | - Nº1 (2uds./units) - Nº6 (2uds./units) | 5 |
| RBH0016.00R | Kit Bulón Palomilla / Pins set | - Nº6 (10uds./units) | - |
| RBH0002.01R | Tapa / Lid | - Nº2 (1ud./unit) - Nº3 (1ud./unit) | 5 |
| RBH0003.01R | Cestillo / Basket | - Nº5 (1ud./unit) | 8 |
| RBH0004.01R | Conjunto Juntas / O-ring set | - Nº11 (1ud./unit) - Nº16 (1ud./unit) | 10 |
| RBH0005.01R | Conjunto Retén / Seal set | - Nº14 (1ud./unit) - Nº15 (1ud./unit) - Nº11 (1ud./unit) - Nº16 (1ud./unit) | 5 |
| RBH0006.02R | Difusor / Diffuser | - Nº12 (1ud./units) | 10 |
| RBH0007.03R | Turbina 0,33HP / Impeller 0,33HP | | 5 |
| RBH0007.04R | Turbina 0,50HP / Impeller 0,50HP | | 5 |
| RBH0007.05R | Turbina 0,75HP / Impeller 0,75HP | - Nº13 (1ud./unit) | 5 |
| RBH0007.06R | Turbina 1,00HP / Impeller 1,00HP | | 5 |
| RBH0008.01R | Cuerpo de unión / Flange | - Nº17 (1ud./unit) | 8 |
| RBH0009.01R | Soporte / Support | - Nº18 (1ud./unit) - Nº18.1 (6uds./units) | 12 |
| RBH0010.01R | Cuerpo bomba / Pump casing | - Nº10 (1ud./unit) | 4 |
| RBH0011.01R | Kit Juntas Tapa / Lid O-ring set | - Nº3 (10uds./units) | - |
| RBH0012.01R | Kit Juntas Difusor / Diffuser O-ring set | - Nº11 (10uds./units) | - |
| RBH0013.01R | Kit Juntas Cuerpo de Unión / Flange O-ring set | - Nº16 (10uds./units) | - |