

ELECRO

ENGINEERING

ELECRO

G2 Heat Exchangers

Fully Equipped Kit Options



Features

- Can be easily added to control any G2 heat exchanger
- Digital control thermostat with priority heating feature, temperature display and 0.5°C, OR
- Analogue control thermostat (simple easy to use) with 1.5°C differential
- Volt free heat output contact for heating appliance control
- Grundfos booster pump
- Flow switch, ensuring your heating appliance is only switched on when the pool circulation pump is running

Construction

The Elecro G2 Heat Exchanger has been designed to allow a very simple and easy to fit equipped upgrade kit that incorporates a thermostat control system. The equipped kits are suitable for any of the G2 power outputs and can be retro fitted if required.

There are two thermostat control options:

The sophisticated digital control thermostat that displays the current water temperature with a 0.5°C differential, features a priority heating function that allows the unit to control the circulation pump and a visual no flow alarm.

Or the simpler 'set and forget' analogue control thermostat with a 1.5°C differential.

The Equipped kits are supplied complete with:

Digital Kit

- Digital control thermostat
- Grundfos booster pump
- Flow switch (with gold tipped reed switch)
- 1" female/female brass fitting
- NTC Temperature sensor

Analogue Kit

- Analogue control thermostat
- Grundfos booster pump
- Flow switch (with gold tipped reed switch)
- 1" female/female brass fitting



Product Codes

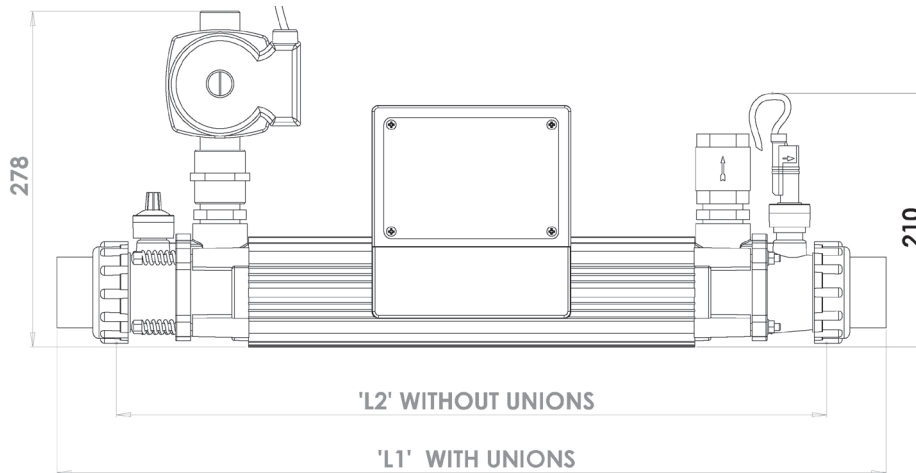
| Digital Equipped Kit Product Code | Analogue Equipped Kit Product Code |
|--------------------------------------|---------------------------------------|
| G2-HE-DIG | G2-HE-ANA |

Also available without Grundfos booster pump:

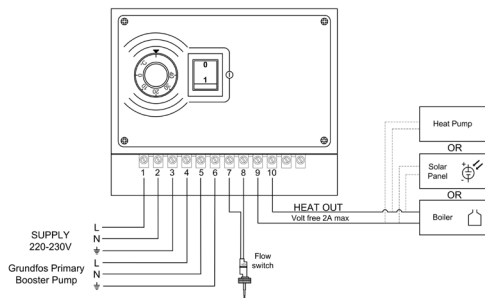
| Digital Equipped Kit (Without Grundfos Pump) Product Code | Analogue Equipped Kit (Without Grundfos Pump) Product Code |
|---|--|
| G2-HE-DIG-NP | G2-HE-ANA-NP |

Please see G2 Heat Exchanger data sheet for L1 & L2 Dimensions

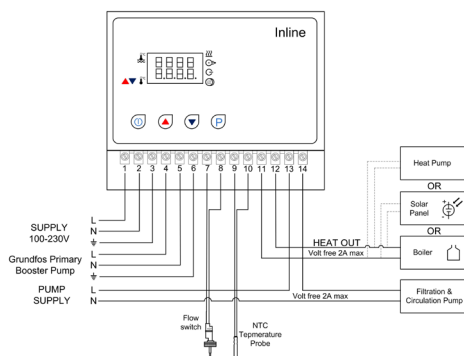
Dimensions (When fitted to the G2 Heat Exchanger)



Wiring Diagrams



Analogue



Digital



www.elecro.co.uk

ELECR O
ENGINEERING

11 Gunnels Wood Park
Stevenage
Hertfordshire
SG1 2BH
United Kingdom
t: +44 (0) 1438 749 474
f: +44 (0) 1438 361 329
e: info@elecro.co.uk