

# ELECRO

## ENGINEERING

### ELECRO Evolution

Swimming Pool Heater  
2-kW to 24-kW



#### Features

- Fully equipped
- Easy installation
- Robust, durable construction
- Analogue control with 1 °C Differential
- Incoloy 825 or Titanium heating elements
- 316 Stainless Steel or Titanium flow tube
- Ultra-reliable flow switch allows safe operation as low as 1,000 ltr/h
- May be floor or wall mounted using swivel foot
- Control thermostat and safety thermal cut out (manual reset)
- 3 years conditional warranty

#### Construction

The ELECRO EVOLUTION pool heater is manufactured from top quality components and materials at the Elecra works in Hertfordshire, England.

Construction consists of a flow tube which is fitted with Inlet and Outlet mouldings manufactured from specially formulated polymer alloy material. Universal ABS unions are provided to allow solvent weld connection to the inlet and outlet pipe work. The outlet moulding accommodates a reversible flow switch with a gold tipped reed, and Titanium pin.

The heater is supported on two swivel feet; these can swivel to permit either wall or floor mounting. The heater control components are positioned on the front face of the casing. The water inlet and outlet fittings can facilitate connection to either metric or imperial standard pipe. The inlet moulding has been designed to ensure full immersion of the elements, greatly reducing the risks of air locking.

#### Operation

The desired pool temperature can be easily set on the ELECRO EVOLUTION heater using the panel-mounted thermostat dial. The single or three-phase power is supplied through a top quality *Schneider* contactor. Safety and equipment protection is provided by the highly reliable flow switch. Over-temperature protection is provided by the thermal cut out (manual reset).



## Specification & Models

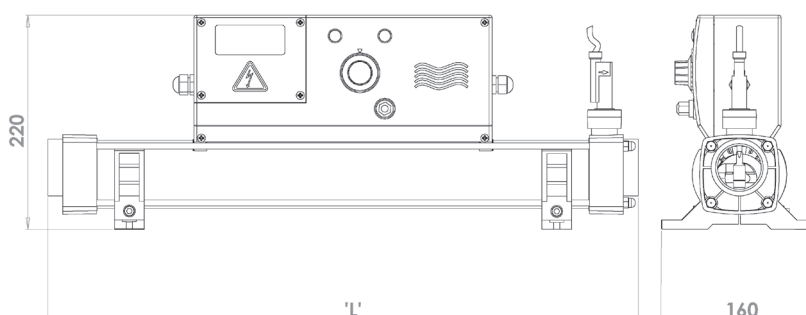
<b>Power supply:</b>	230V single phase, 380V > 440V three phase or 220V/230V three phase
<b>Flow requirements:</b>	Minimum flow:- 2-kW to 6-kW = 1m <sup>3</sup> /h 9-kW to 24-kw = 4m <sup>3</sup> /h Maximum flow:- 17m <sup>3</sup> /h
<b>Heating Elements:</b>	Incoloy 825 or Titanium, high MgO compaction.
<b>Flow tubes:</b>	BS 316 Stainless Steel or Titanium
<b>Control thermostat:</b>	0 > 40°C (1°C differential)
<b>Safety thermal cut out:</b>	55°C (manual reset)
<b>Flow switch:</b>	Gold tipped reed switch with Titanium fulcrum pin
<b>Wiring:</b>	High temperature, silicone sheathed, multi-strand copper conductors
<b>Contactor:</b>	<i>Schneider</i>
<b>Seals:</b>	Special formula high temperature polymer
<b>Water connections:</b>	1½" BSP female thread supplied with 1½" to 50mm ABS unions
<b>Working pressure:</b>	4 barg maximum
<b>Mounting:</b>	Floor or wall mounting
<b>Standards compliance:</b>	European Electromagnetic Compatibility directive 89/336/EEC and 93/068/EEC
<b>Harmonised Standards:</b>	EN 55014 – EN55104, EN 5501, EN 5502, CEI 801-4, CEI 801-2, CEI 801-3 The European Low Voltage Directive 72/23/EEC The Harmonised Standard EN 60335-2-35

230V 1 Phase Power Output	Load	Stainless Steel Flow Tube With Incoloy 825 Elements Product Code	Stainless Steel Flow Tube With Titanium Elements Product Code	Titanium Flow Tube With Titanium Elements Product Code	Dimension 'L'
2-kW	9-Amp	802	8T82	T82	462-mm
3-kW	13-Amp	803	8T83	T83	462-mm
4.5-kW	20-Amp	804	8T84	T84	462-mm
6-kW	27-Amp	806	8T86	T86	462-mm
9-kW	40-Amp	809	8T89	T89	462-mm
12-kW	53-Amp	80A	8T8A	T8A	462-mm
15-kW	66-Amp	80B	8T8B	T8B	592-mm
18-kW	79-Amp	80C	8T8C	T8C	592-mm

380V > 440V 3 Phase Power Output	Load	Stainless Steel Flow Tube With Incoloy 825 Elements Product Code	Stainless Steel Flow Tube With Titanium Elements Product Code	Titanium Flow Tube With Titanium Elements Product Code	Dimension 'L'
6-kW	9-Amp	836V	8T36V	T36V	592-mm
9-kW	13-Amp	839V	8T39V	T39V	592-mm
12-kW	18-Amp	83AV	8T3AV	T3AV	592-mm
15-kW	22-Amp	83B	8T3B	T3B	592-mm
18-kW	26-Amp	83C	8T3C	T3C	592-mm
24-kW	35-Amp	83D	8T3D	T3D	592-mm

220V/230V 3 Phase Power Output	Load	Stainless Steel Flow Tube With Incoloy 825 Elements Product Code	Stainless Steel Flow Tube With Titanium Elements Product Code	Titanium Flow Tube With Titanium Elements Product Code	Dimension 'L'
6-kW	15-Amp	836-DELTA	8T36-DELTA	T36-DELTA	592-mm
9-kW	23-Amp	839-DELTA	8T39-DELTA	T39-DELTA	592-mm
12-kW	30-Amp	83A-DELTA	8T3A-DELTA	T3A-DELTA	592-mm
15-kW	38-Amp	83B-DELTA	8T3B-DELTA	T3B-DELTA	592-mm
18-kW	46-Amp	83C-DELTA	8T3C-DELTA	T3C-DELTA	592-mm

## Dimensions



**ELECRO**  
ENGINEERING

11 Gunnels Wood Park  
Stevenage  
Hertfordshire  
SG1 2BH  
United Kingdom  
t: +44 (0) 1438 749 474  
f: +44 (0) 1438 361 329  
e: info@elecro.co.uk

