

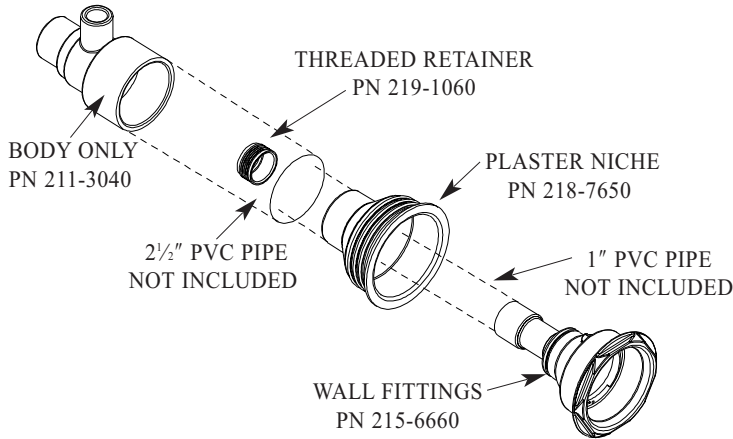


INSTALLATION INSTRUCTIONS

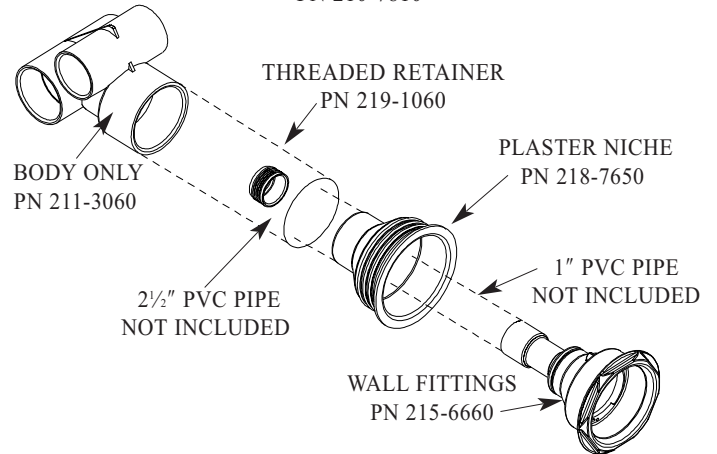
POWER GUNITE JET

POWER JET BODIES

POWER GUNITE STRAIGHT BODY ASSEMBLY
1" SPG AIR X 1 1/2" SPG WATER
PN 210-7800

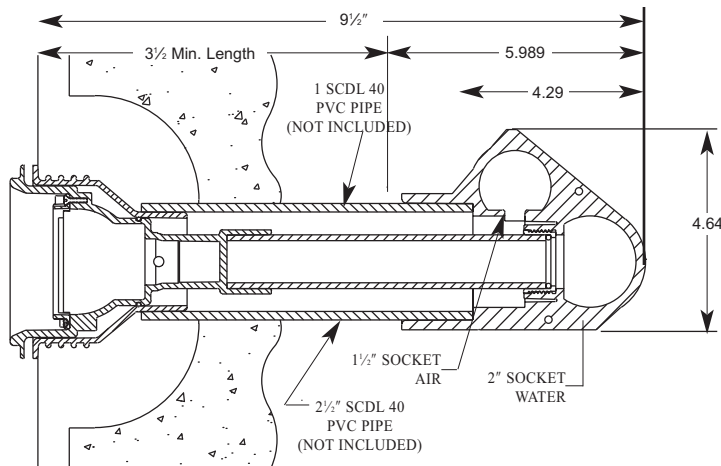


POWER GUNITE TEE BODY ASSEMBLY
1 1/2" S AIR X 2" S WATER
PN 210-7810

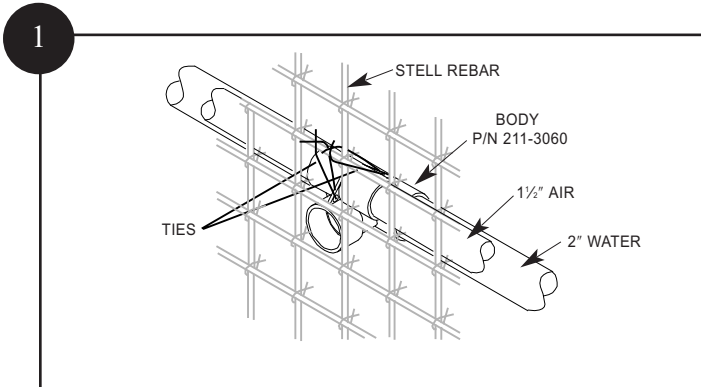


NICHE INCLUDED WITHG BODY ASSEMBLY

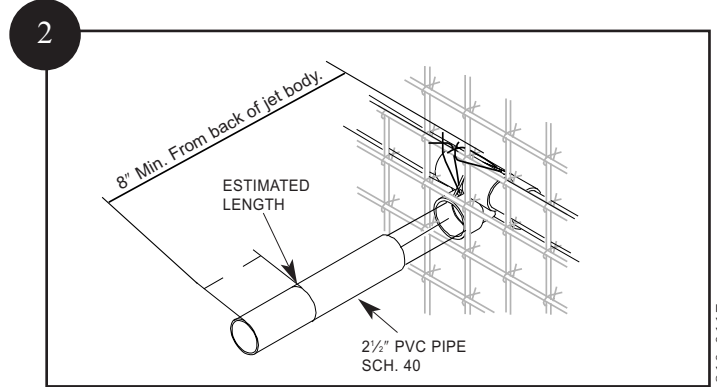
JET BODY CROSS-SECTION DIAGRAM



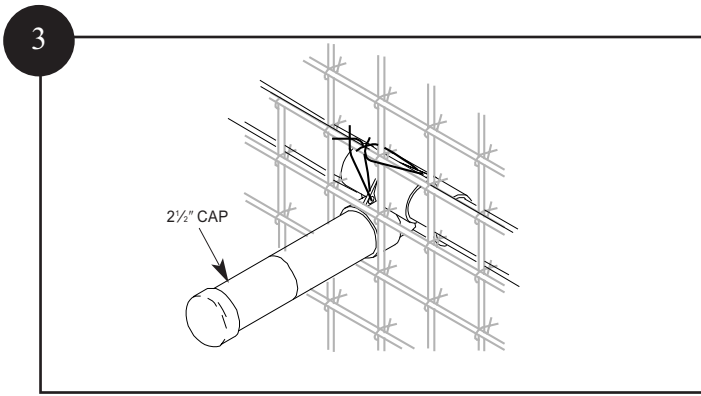
INSTALLATION INSTRUCTIONS



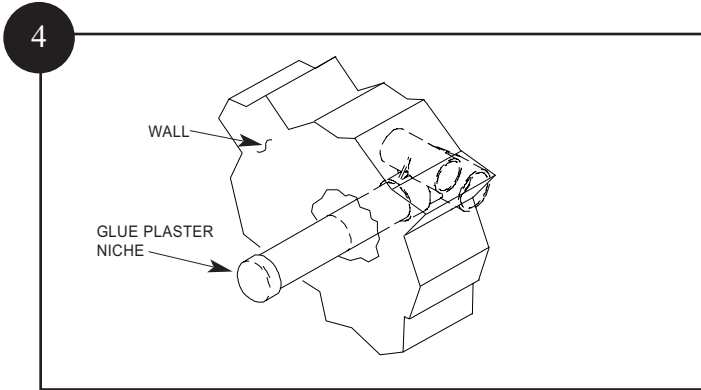
1 Hang Power Gunite Jet Body with ties through preset holes onto steel rebar. Make sure that the front of the jet body sits back at least 3 1/2" from finished wall.



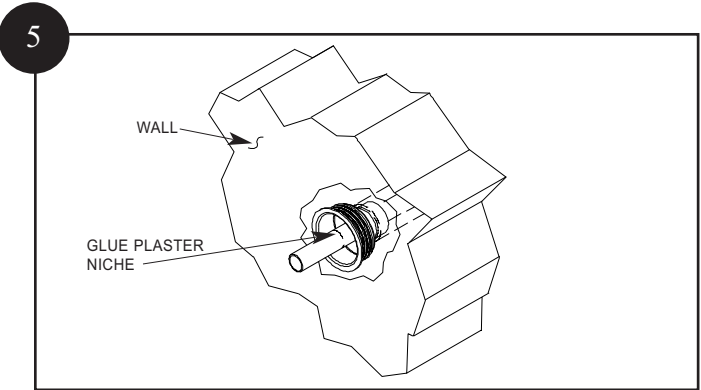
2 Cut 2 1/2" pvc pipe (not included) so that it will extend 4" past finished wall. Then glue 2 1/2" pvc pipe into jet body.



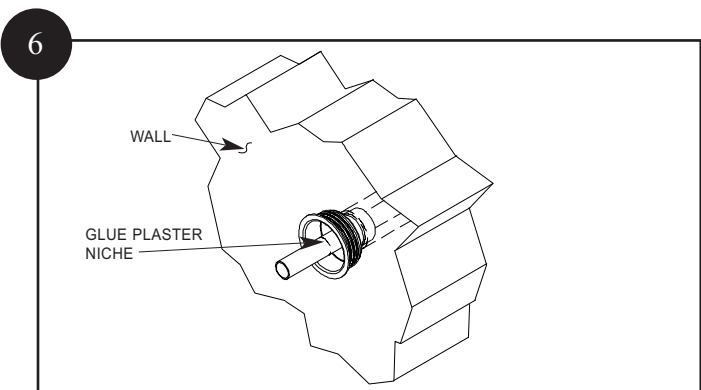
3 Glue 2 1/2" cap onto end of pipe for pressure test.



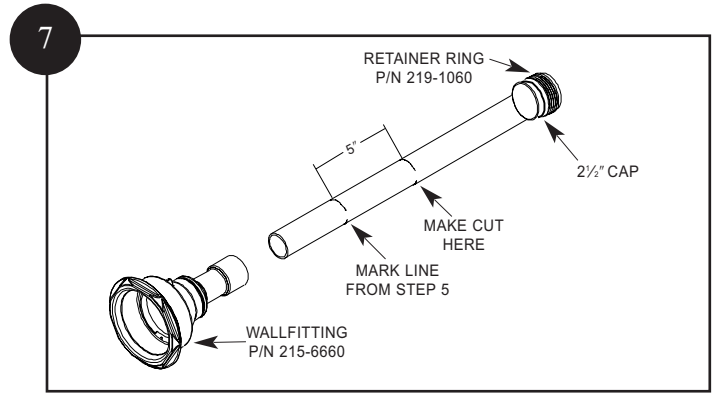
4 After guniting cone back a 7" dia. pocket 4" deep.



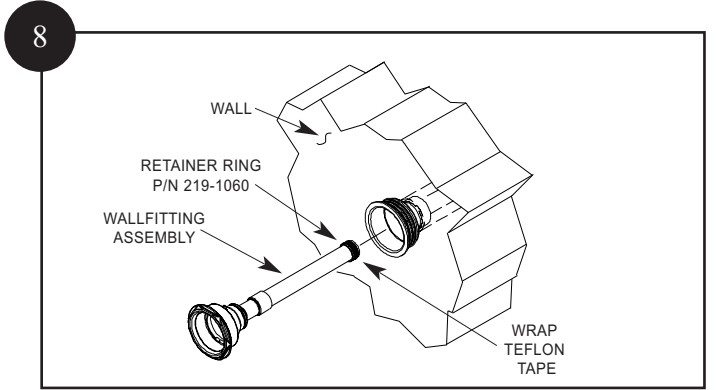
5 Before plastering cut 2 1/2" dia pipe back 2 1/2" from disered wall finish. Glue plaster niche in. Plaster flush to front of plaster niche.



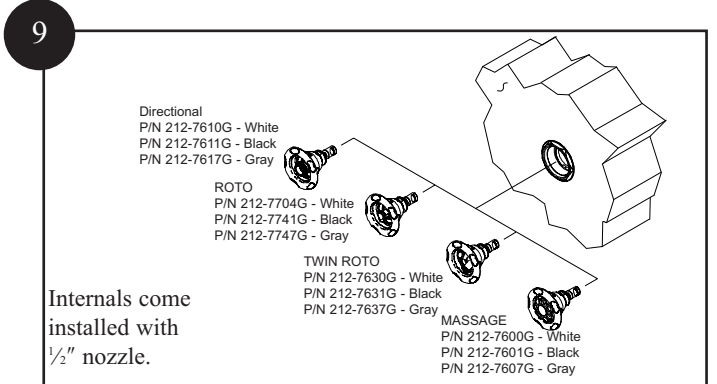
6 Glue Threaded retainer ring onto 1" pipe (not included) and thread into jet body. Mark 1" pipe flush with wall.



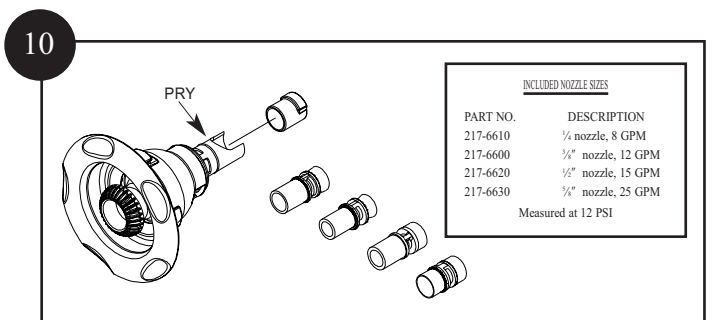
7 Unscrew 1" pvc pipe from body and cut 5" inward from mark towards retainer ring, than glue wallfitting to 1" pvc pipe.



8 Wrap Teflon tape on retainer ring and thread the 1" PVC pipe back into body, making sure of a snug fit.



9 Internals come installed with 1/2" nozzle. Install desired jet internal into wallfitting by pushing in and turning clockwise. Jets can be adjusted "on clockwise" "off counterclockwise". Jets do not shut off 100%.



10 Instructions for Alternate Nozzle sizes.

1. Remove jet internal by turning counter clockwise beyond the stopping point.
2. Pull Diffuser off back of internal.
3. With flathead screwdriver pry nozzle out through venturi hole.
4. Replace with desired nozzle.