



Unrivalled hydraulic performance

- ➔ A modern, optimised design **for optimum hydraulic efficiency**
- ➔ **Higher delivery rate for lower energy consumption**
- ➔ **Easy maintenance:** quarter-turn cover + extra wide strainer basket for less frequent cleaning
- ➔ Specially designed for large pools **up to 150 m³**

YEARS OF WARRANTY



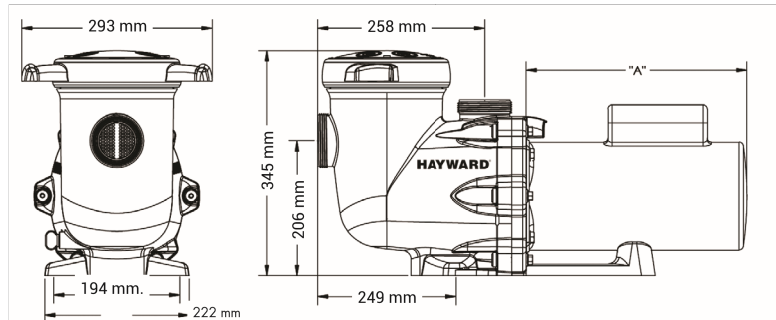
Service-easy design provides easy installation and maintenance



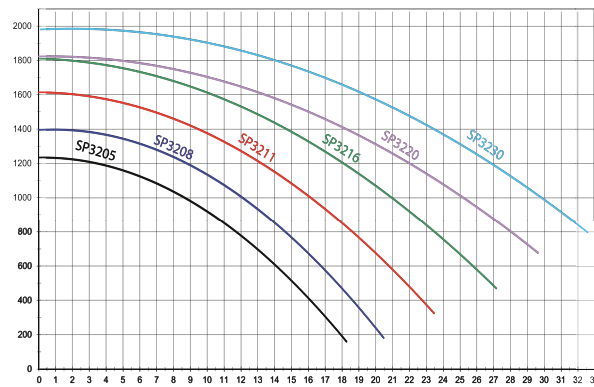
Drain plugs for an easy winterizing



See through stainer cover



Pressure (mbar)



Flow rate (m³/h)

SINGLE PHASE TRISTAR®

THREE PHASE TRISTAR®

Power (HP)	Slide A	Flow rate*	In/Out	Weight	Input Power P1	Output Power P2	Amperage	Item
1/2	220 mm	11.4 m ³ /h	63 mm	14 kg	640 W	430 W	3 A	SP32051
3/4	220 mm	14.5 m ³ /h	63 mm	14 kg	640 W	430 W	3 A	SP32081
1	247 mm	18.5 m ³ /h	63 mm	14 kg	975 W	720 W	4.3 A	SP32111
1.5	247 mm	23.5 m ³ /h	63 mm	15 kg	1 100 W	790 W	5 A	SP32161
2	265 mm	28 m ³ /h	63 mm	17 kg	1 500 W	1 160 W	7.25 A	SP32201
3	316 mm	32.5 m ³ /h	63 mm	17 kg	2 200 W	1 680 W	9.6 A	SP32301
2	247 mm	28 m ³ /h	63 mm	15 kg	1 355 W	1 100 W	5.2/3 A	SP32203
3	265 mm	32.5 m ³ /h	63 mm	17 kg	1 845 W	1 500 W	6.2/3.6 A	SP32303

*To 8 meters water height