

INTRODUCING

The NEW Slimline® Jet Collection



SlimlineJets

The latest in our NEW Hydromassage bath jets

- All stainless steel
- Easy to install and service
- NEW stylish look and modern design
- NEW flush to the shell and unobtrusive
- NEW ultra low profile and smooth to the touch

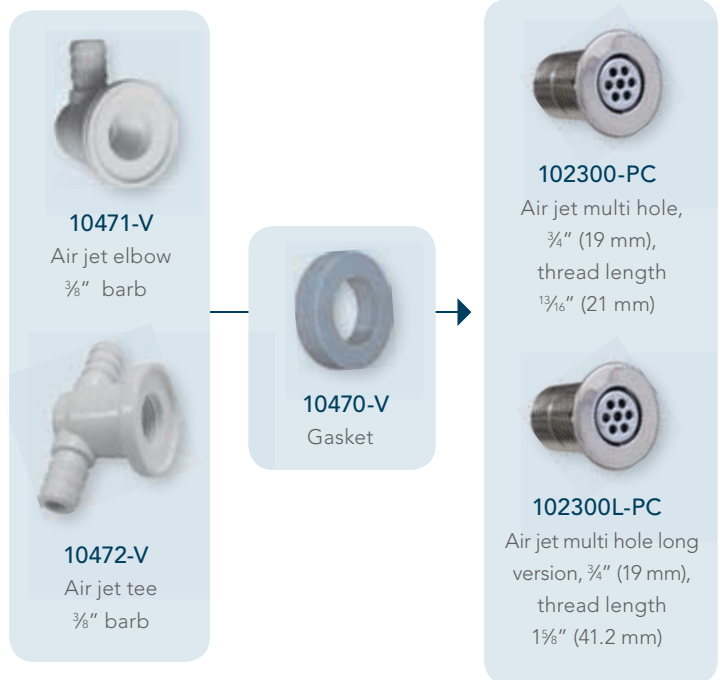


BALBOA
water group

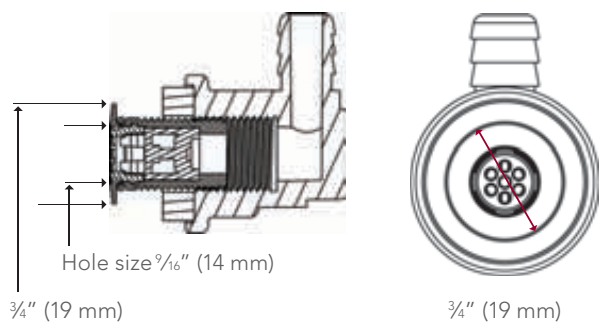
SLIMLINE® JET COLLECTION

Slimline Air Massage

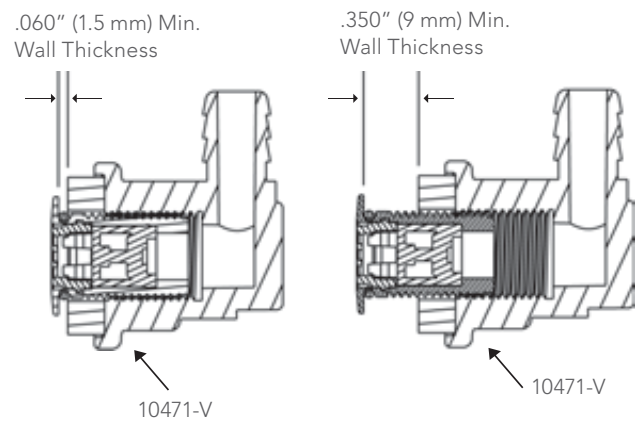
Balboa Water Group proudly introduces the latest in our NEW Hydromassage bath jet collection: our **Air Massage**. Among the many attractive features of Balboa's newest Air Massage collection are the stylish looks and modern designs. The jets are truly low profile. They're flush and unobtrusive. The ultra low profile is smooth to the touch and aesthetically pleasing.



Size Measurements



Minimum and Maximum Bath Tub Wall Thickness



SLIMLINE® JET COLLECTION

Slimline Air Massage



10473-V

Air jet elbow
3/8" barb

13468-PC

Air jet, 1/16" (17.5 mm),
thread length 1/16"
(17.5 mm) include gasket

10474-V

Air jet tee
3/8" barb

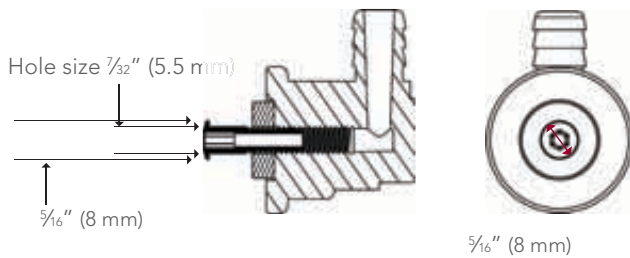
13468L-PC

Air jet, 1/16" (17.5 mm),
thread length 1 5/8"
(41 mm) include gasket

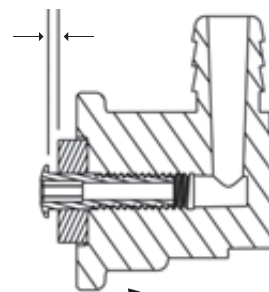
Tool Use: Standard 7/64" hex wrench

Minimum and Maximum Bath Tub Wall Thickness

Size Measurements

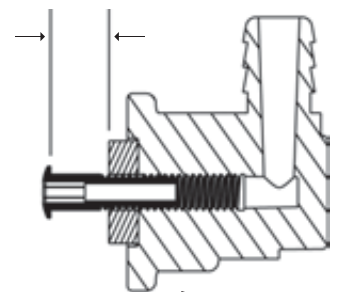


.060" (1.5 mm) Min.
Wall Thickness



10473-V

.350" (9 mm) Min.
Wall Thickness



10474-V

SLIMLINE® JET COLLECTION

Slimline Micro Back Jet

Balboa Water Group proudly introduces the latest in our NEW Hydromassage bath jet collection: our **Slimline Micro Back Jet**.

The Micro Back Jet functions mainly as a source to help soothe a specific area used for the back. It is simple, functional, and effective.



23834-V

1/4" Orif elbow x 3/4" barb

23835-V

1/4" Orif elbow x 1/2" barb

23836-V

1/4" Orif elbow LH x 1/2" barb

23838

1/4" Orif elbow RH x 1/2" barb

23835M

1/4" Orif tee x 20 mm

Other sizes available, check with your sales representative for more information.



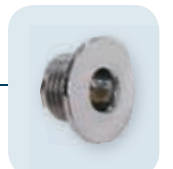
202209

Jet Body Micro
3/8" Barb x 1/2" OD



282201-PC

Micro Back Jet Stamp
Metal Escutcheon



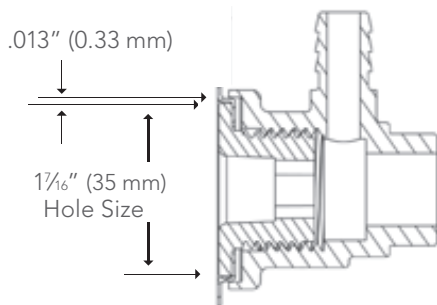
202201-PC

Micro Jet Front
Chrome 1 1/2"

Tool Use: Standard 3/8" hex wrench

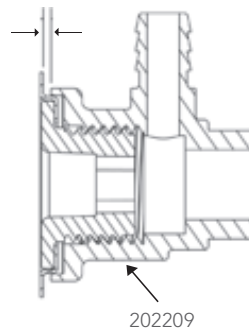
Minimum and Maximum Bath Tub Wall Thickness

Size Measurements



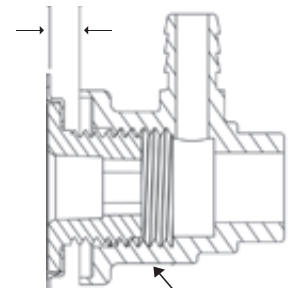
1 3/4" (44.5 mm)

.060" (1.5 mm) Min.
Wall Thickness



202209

.230" (5.8 mm) Min.
Wall Thickness



202209

SLIMLINE® JET COLLECTION

Slimline Flow-Adjustable Directional Eyeball Jet

Balboa Water Group proudly introduces the latest in our NEW Hydromassage bath jet collection: our **Slimline Flow-Adjustable Directional Eyeball Jet**.

The Slimline Flow-Adjustable directional jet can be considered the middle of the road option between the Micro Jet and Trans-Adjustable Jet. However, the performance is anything but middle of the road! A simple touch on the face of the jet allows you to direct the jet's directional eyeball to provide pin-point relief. As with all the Slimline collection, it has the attractive low profile look and feel.



202310A
Jet Body 1/2" x 1" ID,
Flow-Adjustable

202310AM
Jet Body 20 x 32 mm ID,
Flow-Adjustable



252301
Slimline Metal
Stamp Escutcheon

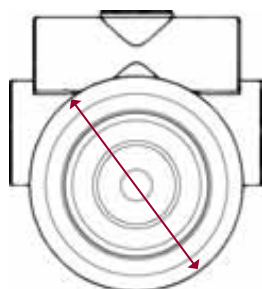
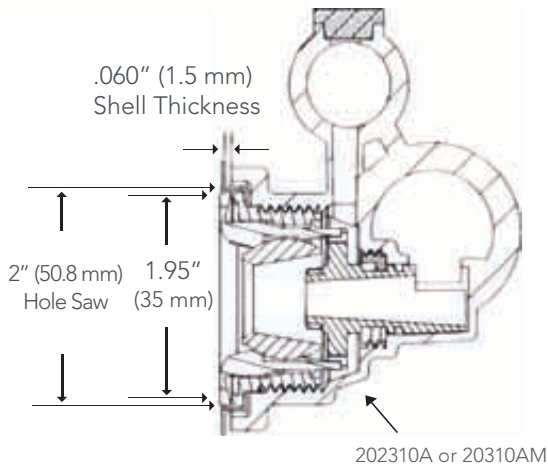


202306-WH
Wall Fitting

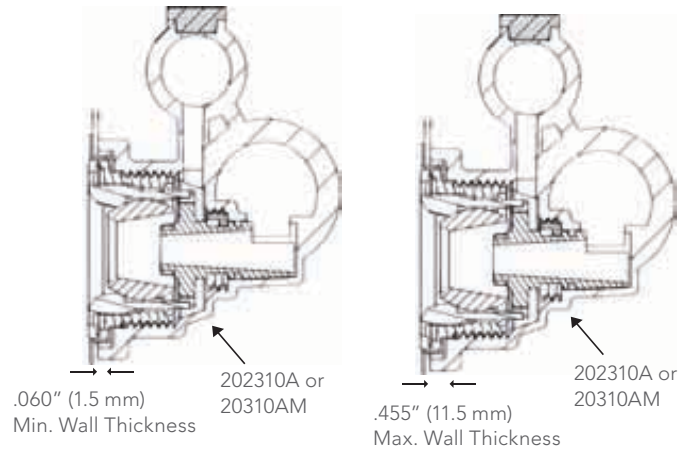


202300-PC
Jet Front Escutcheon
& Clear Eyeball

Size Measurements



Minimum and Maximum Bath Tub Wall Thickness



SLIMLINE® JET COLLECTION

Large Trans-Adjustable Jet

Balboa Water Group proudly introduces the latest in our NEW Hydromassage bath jet collection: our **Slimline Large Trans-Adjustable Jet**.

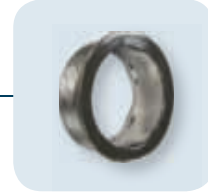
This is the supreme jet of the series! The low profile looks great, feels good to the touch and performs even better. The Trans-Adjustable jet face can be directed at a touch. The twist of the center star grip helps to regulate the flow from a generous flow to a complete stop.



202410
Jet Body 1/2" x 1" ID
202410M
Jet Body 20 x 32 mm ID



282401
Slimline Trans-Adjustable
Metal Escutcheon



202401-PC
Slimline Trans-Adjustable
Wall Fitting

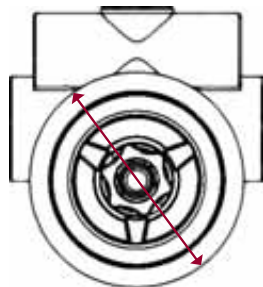
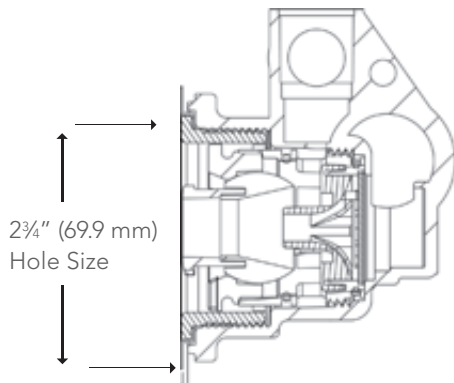


202450-PC
Star Grip Internal 0.330"
Orifice Chrome

Tools Use: 22556-V

Minimum and Maximum Bath Tub Wall Thickness

Hole Size Measurement



3 3/8" (86 mm)

