

BALBOA.
water group



SPA JETS



experience the difference

Lifestream

SPA JETS

Balboa Water Group introduces GG Industries' Lifestream hydrotherapy spa jets and fittings. BWG developed and manufactures this new line of jets which makes the spa experience far more than a soak in the tub. Combine the benefits of heat and massage, and help your customers say goodbye to stress and tension.

Balboa Water Group's new jets come in 2" to 7" sizes with faces available in Luran® UV stable material. They feature low clog bearings on swirl jet faces and neck jets designed for 100% shut off. Lifestream jets incorporate directionally adjustable nozzles and variations of swirling nozzles. Standard plumbing options, variable wall thickness compensation rings and buttress style threads ensure secure attachment.

Lifestream jets are easily customized and come in a wide range of colors and stainless steel escutcheons. Air controls, microjets, suction fittings and 100% seal on/off valves are all available to match.



4" Spinner



3 1/2" Spinner



3 1/2" Spinner



5" Covered Dual Spinner



3" Directional



3" Directional



3" Spinner



3" Spinner

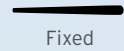


fixed nozzles

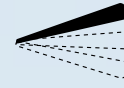
directionals

spinners

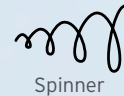
Lifestream Spa Jet Spray Patterns



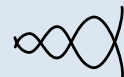
Fixed



Directional



Spinner



Dual Spinner



Covered Dual Spinner



Ultra Blaster



4" Directional



5" Spinner



5" Directional



7" Ultra Blaster



5" Dual Spinner



5" Dual Spinner



5" Covered Dual Spinner



2" Fixed



2" Fixed



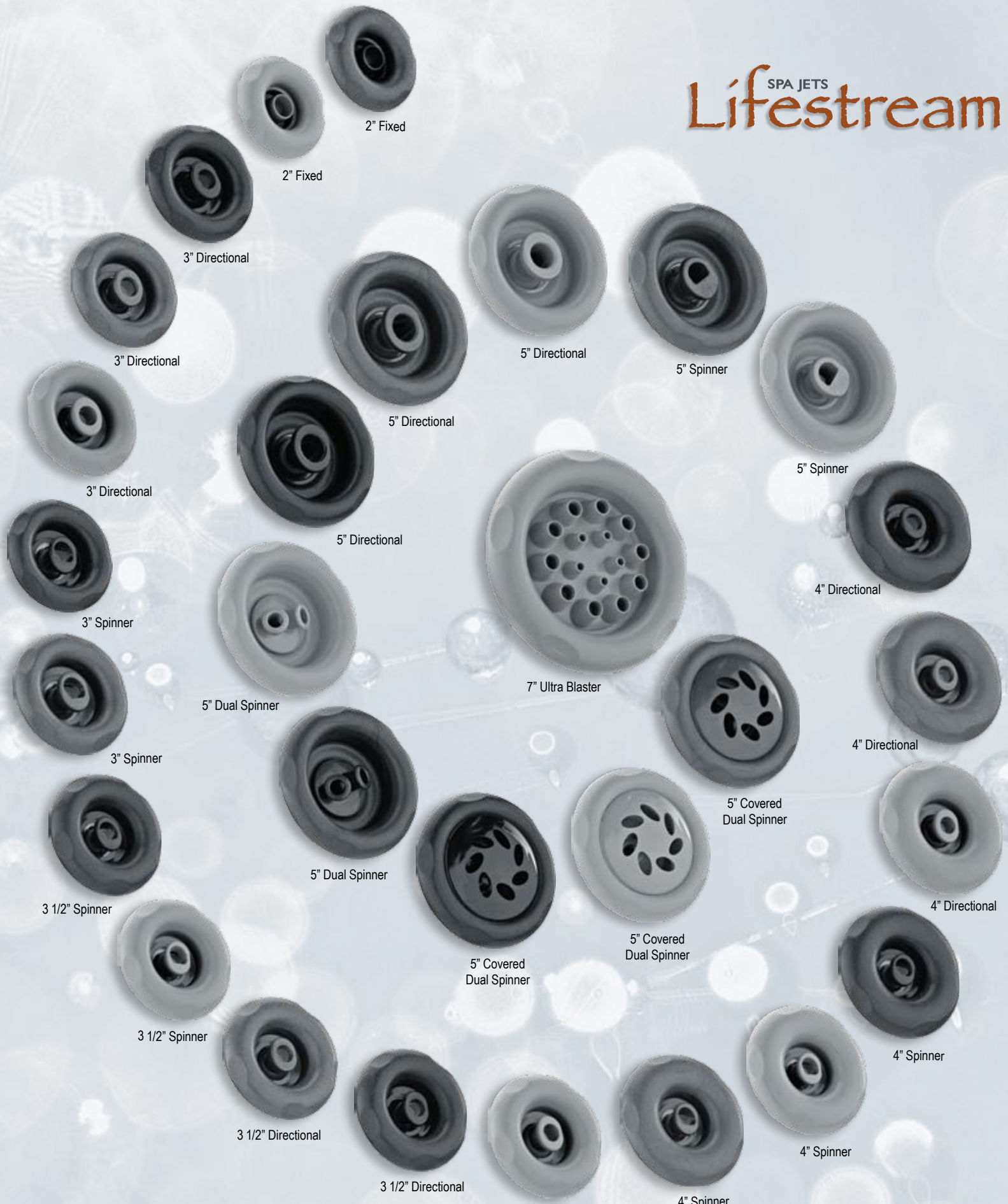
2" Fixed

dual spinners

covered dual spinners

ultra blasters

SPA JETS
Lifestream



2" Fixed

2" Fixed

3" Directional

3" Directional

3" Directional

3" Spinner

3" Spinner

3 1/2" Spinner

3 1/2" Spinner

3 1/2" Directional

3 1/2" Directional

5" Directional

5" Directional

5" Directional

5" Dual Spinner

5" Dual Spinner

5" Covered
Dual Spinner

5" Covered
Dual Spinner

5" Spinner

5" Spinner

7" Ultra Blaster

4" Directional

4" Directional

5" Covered
Dual Spinner

4" Directional

4" Spinner

4" Spinner

4" Spinner

3 1/2" Directional

fixed
nozzles

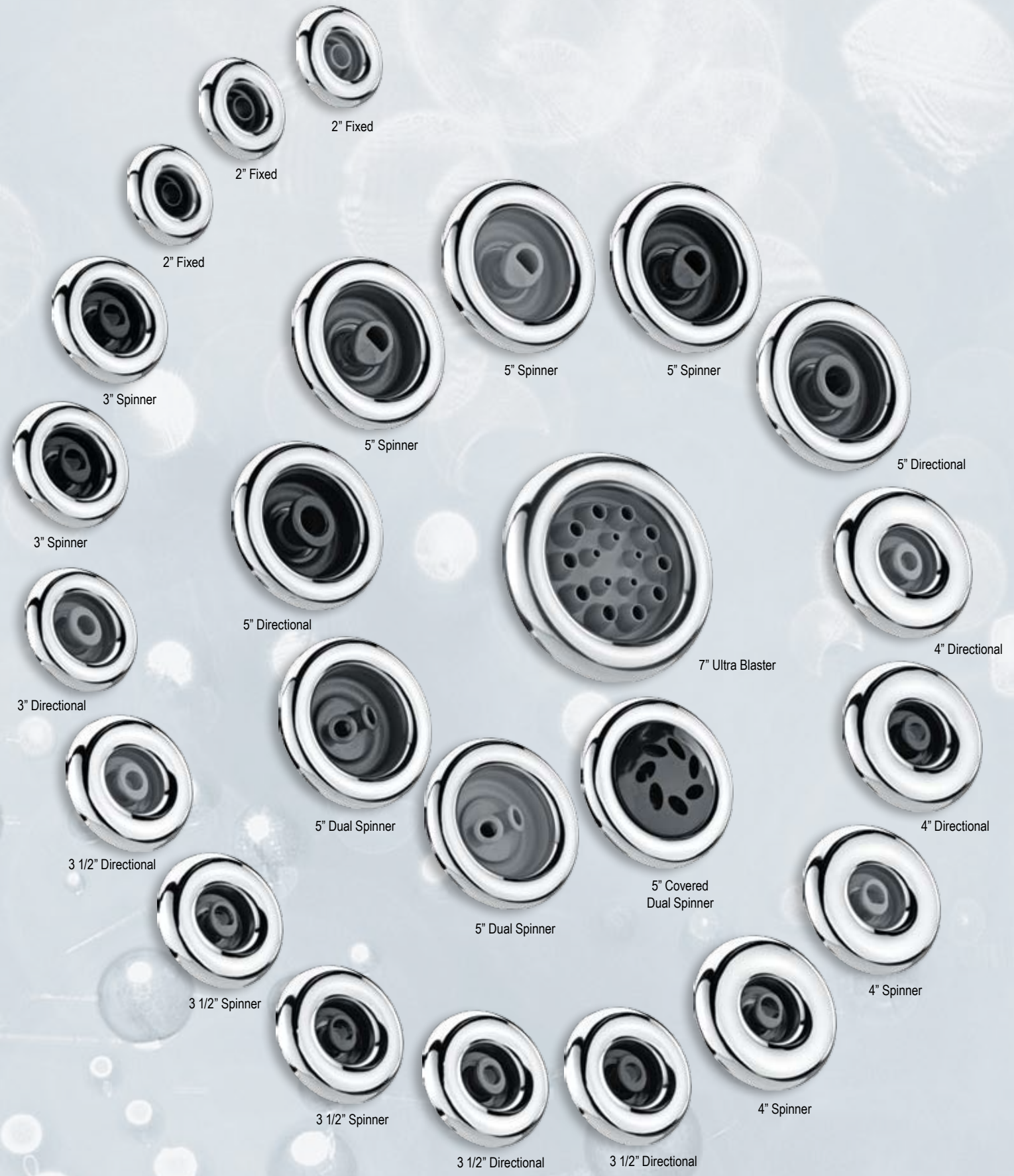
directionals

spinners

dual spinners

covered
dual spinners

ultra
blasters



two"

three"

three.five"

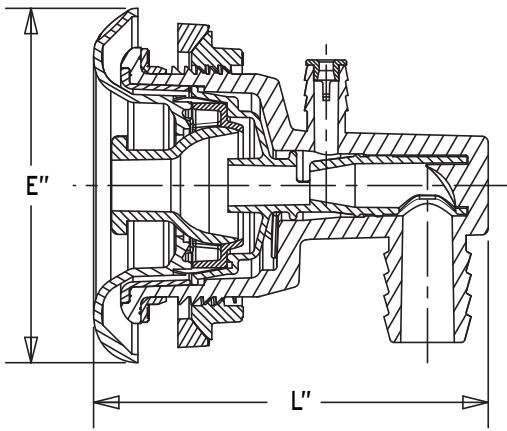
four"

five"

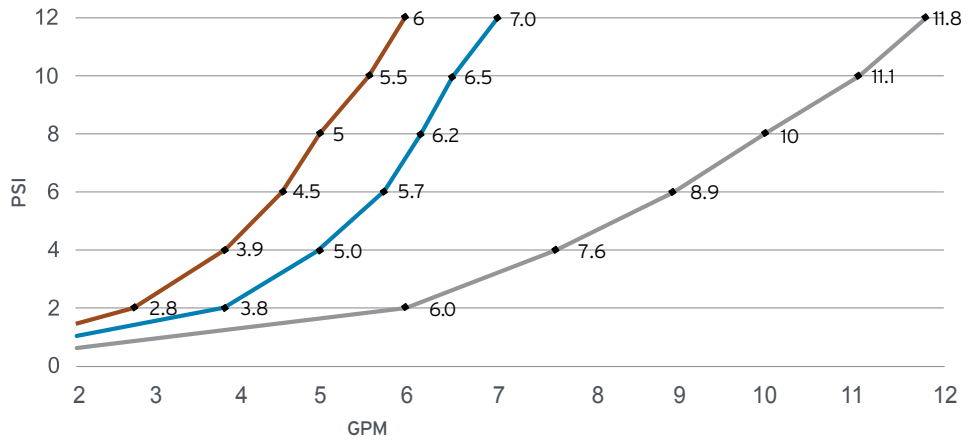
seven"

stainless steel escutcheons

Cross-Section



Flow Chart 2", 3", 3.5", 4", & 5" Jets

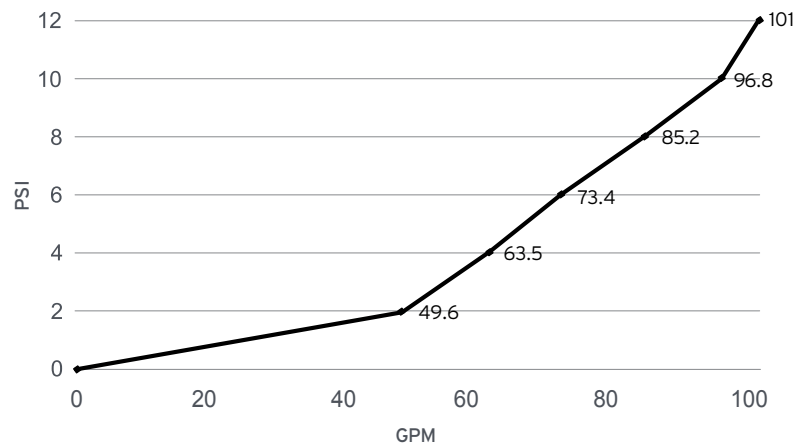


— 2" Jet — 3", 3.5", & 4" Jet — 5" Jet

* 3", 3.5", & 4" 100% Shut-Off Neck Jets (not shown here) flow almost the same as the 2" Jets shown.

JET	Cross Section E-Dim.	Cross Section L-Dim.	Hole Size	Clearance Depth @ 3/8" Wall Thickness	Torque Foot Pounds
2"	2"	2"	1 1/2"	2 1/2"	6
3"	3"	4"	2 3/8"	3 1/4"	12
3 1/2"	3 1/2"	4"	2 3/8"	3 1/4"	12
4"	4"	4"	2 3/8"	3 1/4"	12
5"	5"	5 3/8"	4"	4 1/2"	20
7"	7 1/2"	6 5/8"	6"	5 3/4"	20

Flow Chart 7" Ultra Blaster Jets



— 7" Ultra Blaster Jet

Color Options

EMERALD



BK-Black



CG-Country Gray



MG-Metallic Gray

STAINLESS STEEL



BK-Black

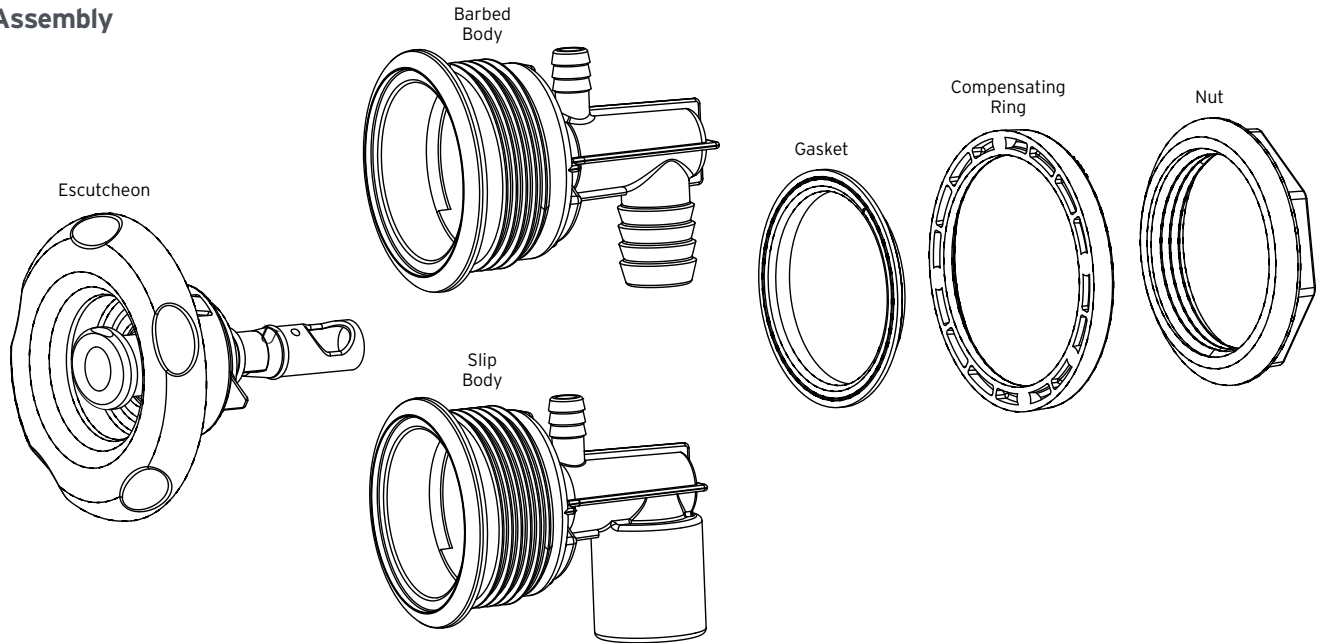


CG-Country Gray



MG-Metallic Gray

Body Assembly



Escutcheon P/N's

JET	Fixed Nozzle	Directional	Spinner	Dual Spinner	Covered Dual Spinner
2" EM	24220	-	-	-	-
2" SS	28220	-	-	-	-
3" EM	-	24320 24321*	24322 24323*	-	-
3" SS	-	28320 28321*	28322 28323*	-	-
3½" EM	-	24350 24351*	24352 24353*	-	-
3½" SS	-	28350 28351*	28352 28353*	-	-
4" EM	-	24420 24421*	24422 24423*	-	-
4" SS	-	28420 28421*	28422 28423*	-	-
5" EM	-	24520	24522	24524	24526
5" SS	-	28520	28522	28524	28526
7" EM	26700	-	-	-	-
7" SS	28700	-	-	-	-

* 100% Shut-Off Neck Jet

EM-Emerald Escutcheon SS-Stainless Steel Escutcheon

Choose from Standard or Luran® UV material.

Designate "U" after P/N when ordering Luran® UV material.

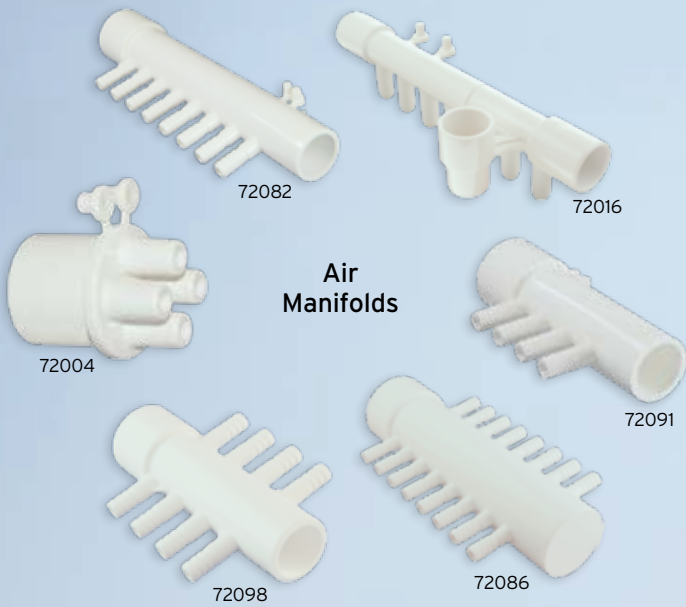
Body Assembly P/N's

JET	Barbed Body	Slip Body	Gasket	Compensating Ring	Nut
2"	24291	24234	24295	24294	24296
3"	24391	24334	24395	24394	24396
3½"	24391	24334	24395	24394	24396
4"	24391	24334	24395	24394	24396
5"	24591	24534	24595	24594	24596
7"	-	26705	26710	26713	25017

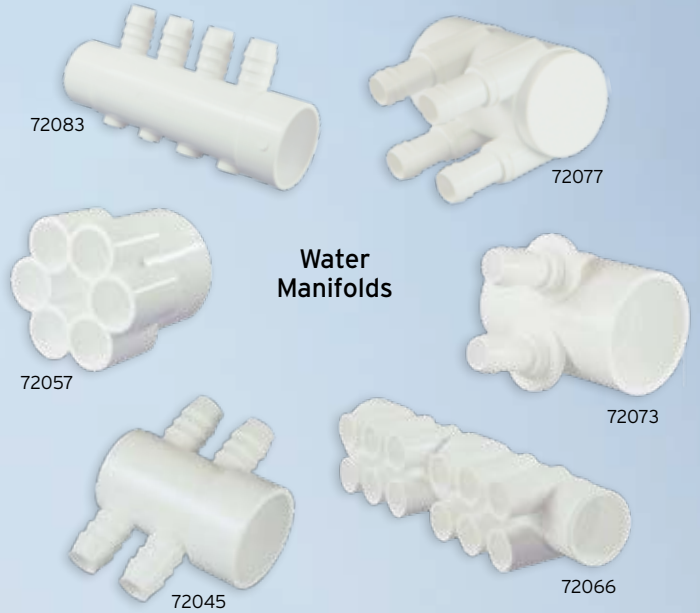
Installation Tool P/N's

For JET	Tool
2"	24229
3"	24399
3½"	24399
4"	34399
5"	24599





**Air
Manifolds**



**Water
Manifolds**

**Your
Single Source
Solution**



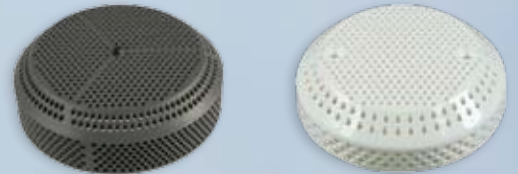
**Barb
Fittings**



Check Valves



Recirculation Pump



**Suction
Covers**



**Light
Fittings**



Quiet Blower



**Suction Wall
Fittings**



**Spa
Drains**



Drain Systems



**Air
Controls**

BALBOA
water group
© 2009 Balboa Water Group. All rights reserved.

**BWG US Companies
US Operations**

1382 Bell Ave.
Tustin, CA 92780
p 714-384-0384
f 714-384-0338

28545 Livingston Ave.
Valencia, CA 91355
p 1-661-257-5700
f 714-384-0338

UK Operations

HydroAir International
Roustvej 50, DK-6800 Varde
p +45 75 22 46 88
f 714-384-0338