

iFlo Filter Pump Pack

High quality, unbeatable value



- **Outstanding value**

iFlo gives quality and reliability at a highly competitive price.

- **Simple to install**

The iFlo comes ready mounted on its baseplate and is pre-plumbed with all filter/pump pipework and connections for fast and easy installation.

- **Ultra quiet, self priming**

iFlo's high performance, heavy duty motor ensures that it's one of the quietest pumps on the market.

- **Quality top mounted 7-way multiport valve**

The iFlo's multiport valve incorporates an integral sight glass and pressure gauge.

 **Plastica**

The UK's Leading Independent Swimming Pool Manufacturer and Distributor



www.plasticapools.net

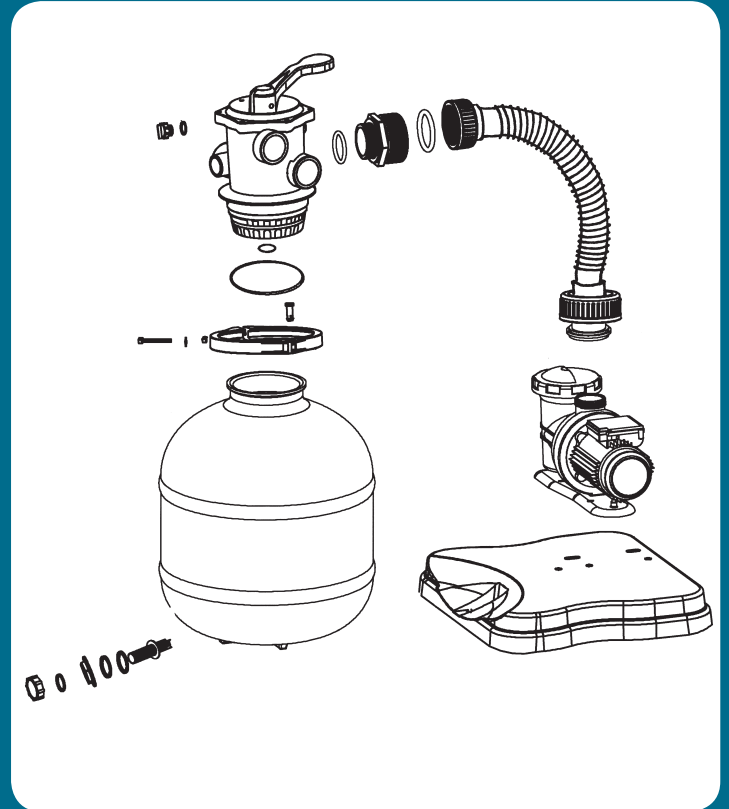
Find us on



iFlo Filter Pump Pack

The iFlo Filter Pump Pack combines a 0.75hp Pump and a 20" Sand Filter.

- The iFlo has been designed and manufactured to the highest standard for dependability, ease of operation and safety.
- Suitable for use in filtering of both above ground and in-ground swimming pools, the iFlo offers excellent performance at an affordable price.
- The compact design makes it ideal for use where space is at a premium.
- Single phase motor with built-in thermal protection
- Self priming pump
- The pool filter system is ideal for swimming pools, garden ponds or similar applications where good water quality is required.
- Max water temperature 35°C
- Min water temperature 4°C
- The iFlo has been designed to allow routine maintenance to be carried out easily
- At the end of the season the unit must be winterised as recommended in the manufacturers instructions.
- Requires 2 bags of filter sand or filter glass media.



 **Plastica**

The UK's Leading Independent Swimming Pool Manufacturer and Distributor