



BP
Spa Control System

BALBOA
water group

BP2000 & BP2100

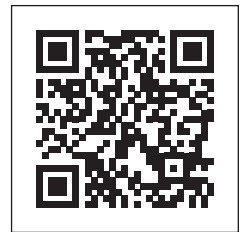
THE ULTIMATE CONTROL SYSTEM FOR THE HOT TUB

The most reliable and widely used system in the industry



FEATURES

- Most reliable and widely used system in the industry
- Wireless system control:
(bwa™)/ControlMySpa™/Balboa Bluetooth Audio (bba™)
- Supports multiple spa setups and configurations
- Works with all TP/SpaTouch™ Panels



FOR MORE INFORMATION

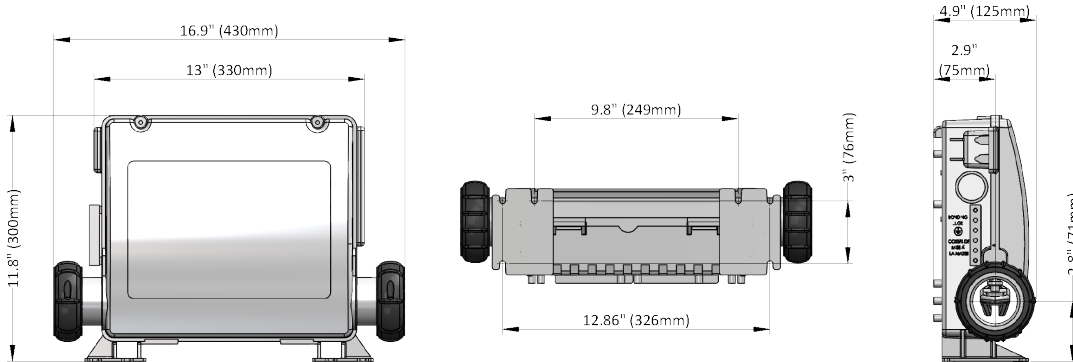
Visit us online: www.balboawater.com/BP2000_2100

BP2000 & BP2100

THE ULTIMATE CONTROL SYSTEM FOR THE HOT TUB

INCOMPARABLE SYSTEM RELIABILITY

Unparalleled system reliability and innovative engineering. Utilizing higher resistant materials, the BP2000/BP2100 operates: 2-speed primary pump, (2) 2-speed secondary pumps, Circulation pump, Blower, Ozone and Lights. The BP2000/BP2100 control system is designed using Balboa's patented M8® smart temperature and flow sensor technology. Smoothly integrates with all of Balboa's accessories such as ControlMySpa™, bba™ and Balboa's various Topside panels including state-of-the-art touchscreen panels.



SYSTEM SPECS

BP2000 G1 SYSTEM SPECIFICATIONS (UL EXPANDED)									
MATERIAL NO.	PUMP 1	PUMP 2	PUMP 3	CIRC PUMP	BLOWER	AV (STEREO)	OZONE	SPA LIGHTS	HEATER
56377-XX*	240V 2-Speed	240V 2-Speed	240V 2-Speed	Optional	Optional	120V	120V	10V	5.5kW @ 240V 800Inc
56378-XX*	240V 2-Speed	240V 2-Speed	240V 2-Speed	Optional	Optional	120V	120V	10V	5.5kW @ 240V 825Inc
56379-XX*	240V 2-Speed	240V 2-Speed	240V 2-Speed	Optional	Optional	120V	120V	10V	5.5kW @ 240V Titanium
56589-XX*	240V 2-Speed	240V 2-Speed	240V 2-Speed	Optional	Optional	120V	120V	10V	4.0kW @ 240V Titanium
59415-XX*	240V 2-Speed	240V 2-Speed	240V 2-Speed	Optional	Optional	120V	120V	10V	4.0kW @ 240V 800Inc

* Note: refer to tech sheet for optional devices and setups.

BP2100 G1 SYSTEM SPECIFICATIONS (CE EXPANDED)									
MATERIAL NO.	PUMP 1	PUMP 2	PUMP 3	CIRC PUMP	BLOWER	AV (STEREO)	OZONE	SPA LIGHTS	HEATER
59389-XX*	230V 2-Speed	230V 2-Speed	230V 2-Speed	Optional	Optional	230V	230V	10V @ 1A Max	3.0kW @ 230V 825Inc
56390-XX*	230V 2-Speed	230V 2-Speed	230V 2-Speed	Optional	Optional	230V	230V	10V @ 1A Max	3.0kW @ 230V 825Inc
56391-XX*	230V 2-Speed	230V 2-Speed	230V 2-Speed	Optional	Optional	230V	230V	10V @ 1A Max	3.0kW @ 230V Titanium

* Note: refer to tech sheet for optional devices and setups.

* = XX represents the latest system revision. (Ex. XX will be replaced by 01, 02, 03 etc.) When an order is placed the latest system will be pulled.

BP2000 & BP2100

THE ULTIMATE CONTROL SYSTEM FOR THE HOT TUB

SYSTEM SPECS

ENVIRONMENTAL	
Operating Temperature	-20°C (-4°F) to 60°C (140°F)
Storage Temperature	-25°C (-13°F) to 85°C (185°F)
Humidity	Humidity: up to 85% RH, non condensing
ENCLOSURE	
IPx5	Metal Heater
CERTIFICATION	
UL	

SMOOTHLY INTEGRATES WITH ALL OF BALBOA'S ACCESSORIES

ControlMySpa™, bba™ and Balboa's various topside panels including state-of-the-art touchscreen panels.



▲ Smoothly integrates with **ControlMySpa™**



▲ Smoothly integrates with **bba3™**



▲ Smoothly integrates with **Balboa's Topside Panels**

