



maelstromTM
MS-1 series

Low energy 2.5hp - 2 speeds

The spa pump standard has been raised



Gecko motor

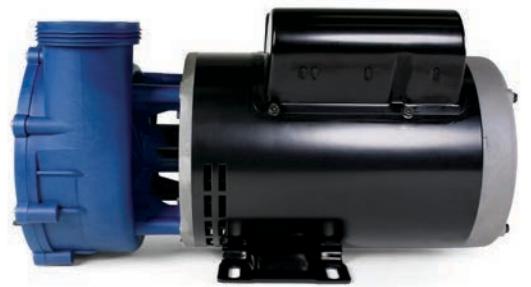
Welcome our brand-new Gecko custom made motor! We've put all our engineering knowledge at work to offer the best efficiency on the market. Thanks to the expertise that belongs to the rich history of Gecko, this pump offers outstanding performance in a compact design.



Moves water efficiently

Dynamics between pump components are complex. To ensure optimal output, Maelstrom pumps are engineered to run at their sweet spot.

The low speed provides sufficient flow for the heater circulation at a low current draw.



Uncompromising quality

Built to last with the ultimate materials, Maelstrom pumps offer the best value on the market. Combined with the renowned North American Gecko quality and customer service, you obtain the best supply solution for your spa pumps.



Low energy 2.5hp - 2 speeds

Model: MS-1-LE-V26-2.5-2

Generic part number: 0800-100001



Electrical/Hydraulic

hp in	hp out	Input Rating	Frame Size	Speed	A	HMAX (ft)	QMAX (GPM)
3	2,5	230V 60Hz	56	High Low	10,0 1,1	65 6.5	196 59

Weight: 36.85 lb (16.71 kg)

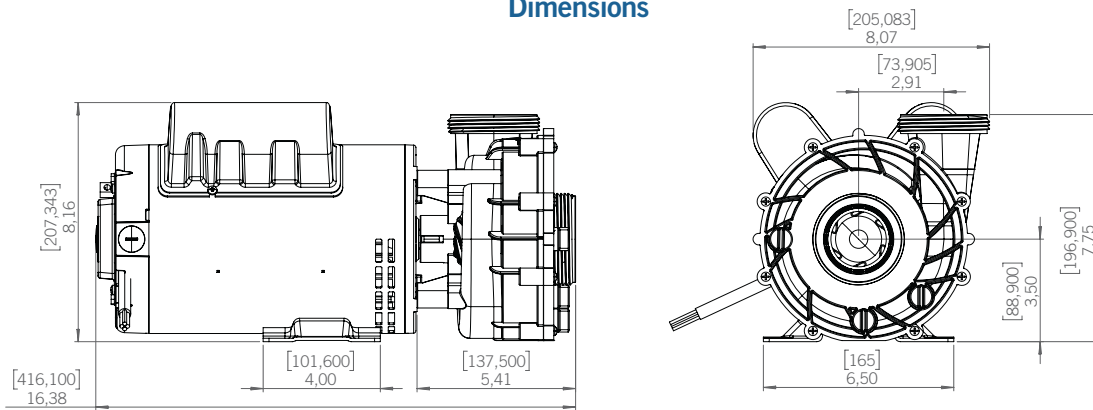
Specification:

- Longer life capacitor with high temp. 85°C
- High ambient temperature run rated 60°C
- Maximum water temperature 50°C
- Sealed bearing
- Very Low energy in low speed
- Construction
 - High speed: PSC
 - Low speed: capacitor start / capacitor run
- Seal: Gecko high quality Universeal
- 2" intake and discharge
- Insulation Class F thermally protected
- UL approval E62386

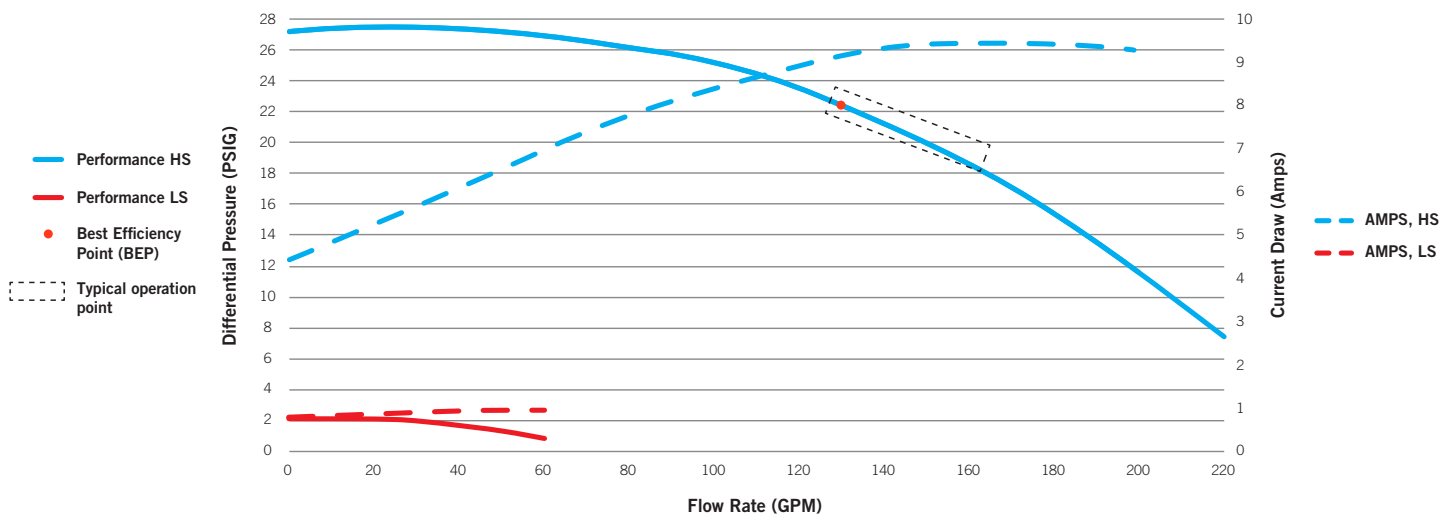
Standard version includes:

- Tail piece (2)
- Three wing nut drain plugs
- 96" cable with AMP plug
- Wet end position at 0 o'clock

Dimensions



2.5hp Maelstrom performance curves



maelstrom™



450 des Canetons, Quebec City, QC Canada G2E 5W6, 800.78.GECKO, info@geckoal.com
www.geckoalliance.com www.geckopumps.com