

Pumps for Spas & Pools







Contents

- 4 About Us
- 7 Spa Filtration Pumps
- 10 Bath Pumps Self-Draining
- 12 Spa Pumps
- 18 SwimSpa Pumps
- 20 Pool Pumps
- 24 Pump Accessories

Waterway Pumps with Motors according to European Standard

Since 1973, WATERWAY, a family owned injection-molding manufacturer based in Oxnard, California, has lead the pool and spa industries with innovative quality products and equipment. Today, our extensive line-up includes pumps, jets, filters, valves, drains, skimmers and white goods for all of your spa and pool equipment needs. With our engineering and manufacturing expertise, WATERWAY does everything possible to make our products the best and most reliable you can buy. Waterway is a progressive company looking toward the future to meet the changing demands of our customers.

WATERWAY Europe is located in Germany and supplies pool and spa manufacturers with WATERWAY components throughout Europe. With this Catalog we would like to present our European style spa and pool pumps from small circulation and filtration pumps to large spa, swim spa and swimming pool pumps. Because of the different standards and power supply in Europe we produce many pumps with European Style CE/IPX5 motors. All of these pumps are equipped with long lasting high quality single phase Motors MADE IN ITALY and our solid and strong wet-ends MADE IN USA.

As WATERWAY strives to stay on the leading edge of technology, we are providing all pumps with ultra-long lasting silicon carbide seals which will greatly increase the life of the wet ends. The silicon carbide seal offers a much lower coefficient of friction than ceramic seals, which allows for cooler running temperatures and will resist dry running failures over conventional mechanical seals. The silicon carbide's Viton and 316 stainless steel housing will also substantially improve the corrosion resistance of the seal.

On the following pages you will find an overview of our pump range. For special requests like specific cable and plug configurations, packaging, etc. please contact your sales representative.



Silicone Carbide Seal Features and Benefits

- Up to 8 times longer life than ceramic seals tested in abrasive solutions
- Up to 21 times more dry-run survivability than ceramic seals
- Surfaces provide excellent thermal conductivity for dry-running
- Pressure-balanced design allows for lighter spring loads and lower running temperatures, resulting in a longer overall seal life



Manufactured in Europe and the USA







Tiny Might

- Wet-end 1" union
- Motor MEC56, 230 V / 50 Hz CE IPX5
- Single speed 2900 RPM

SPECS

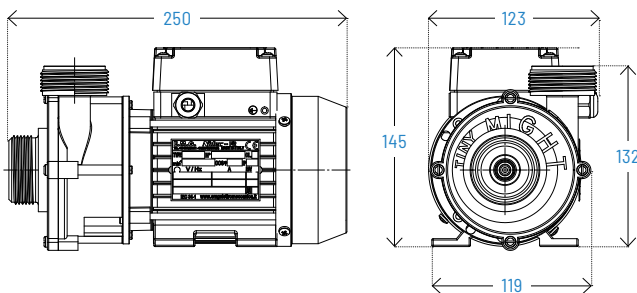
Pump part no 3312620-14EU

Description 1"x1"

Wet-end part no 310-9000

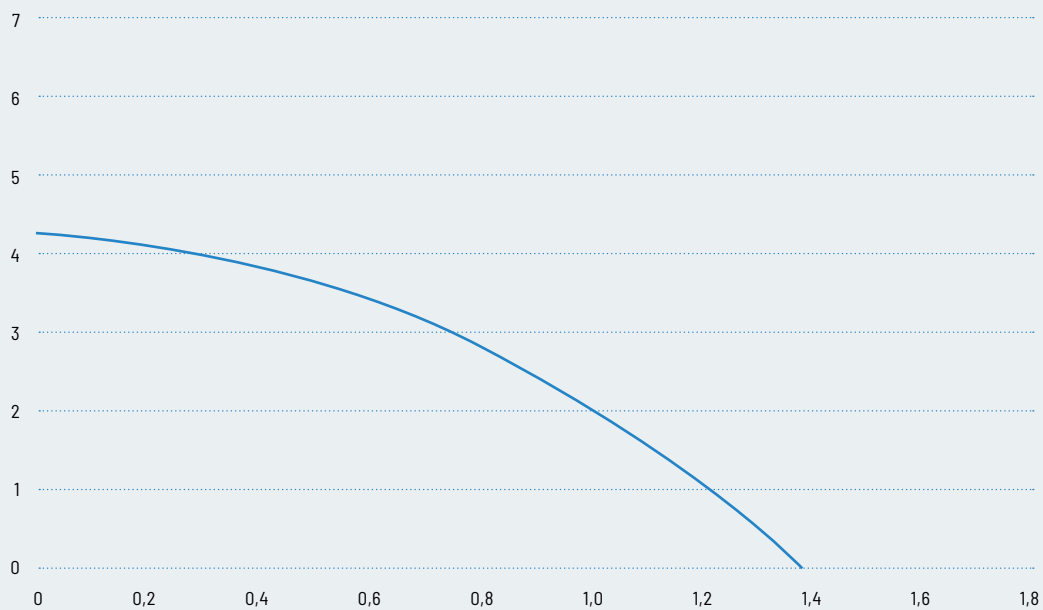
kW max. P1 0,21

Amp max 1,25



Performance curve

Pressure
m H₂O



Flow rate Q (l/sec)

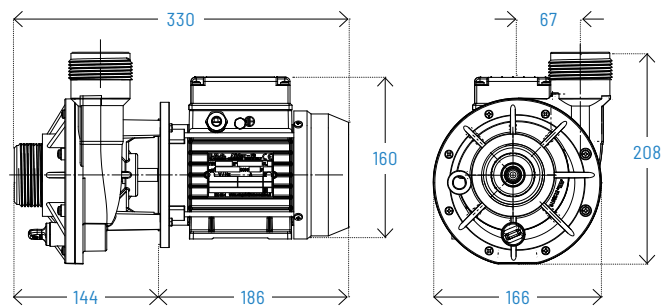
Iron Might

- Wet-end 1,5" union
- Motor MEC63/4, 230 V / 50 Hz CE IPX5
- Single speed 1450 RPM for lower noise level

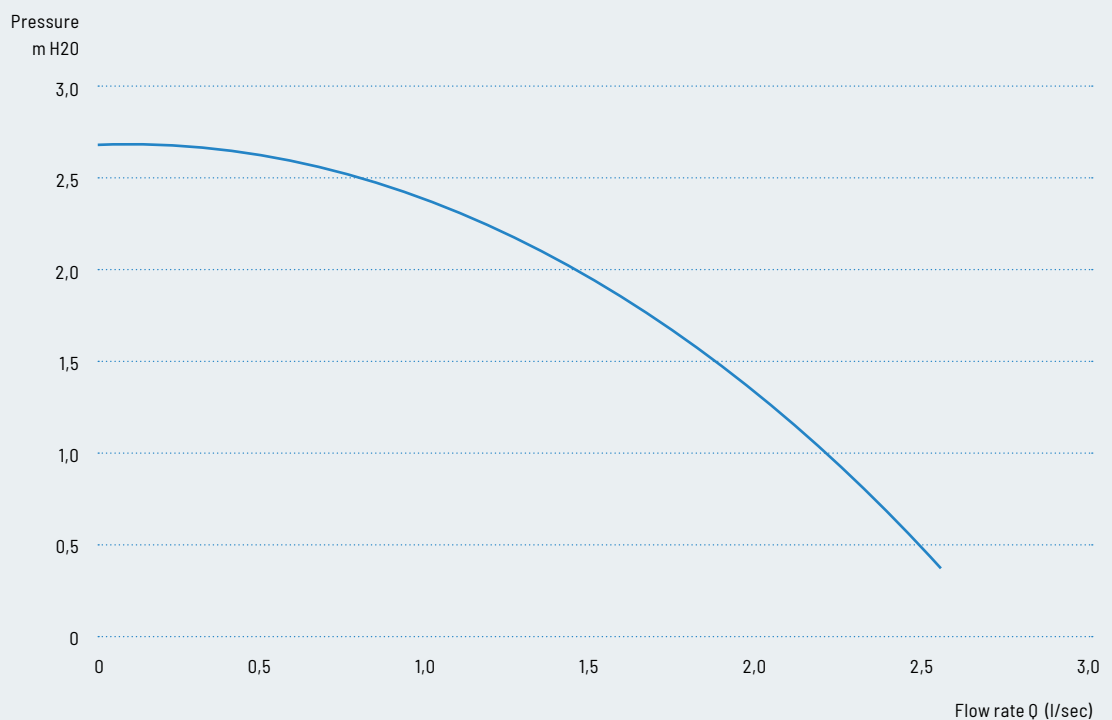


SPECS

Pump part no	3410020-OE_CE
Description	1,5" x 1,5"
Wet-end part no	310-1000-SL
kW max. P1	0,16
Amp max	1,6



Performance curve





Uni Might

- Wet-end 1,5" union
- Motor MEC63/4, 230 V / 50 Hz CE IPX5
- Single speed 1450 RPM for lower noise level

SPECS

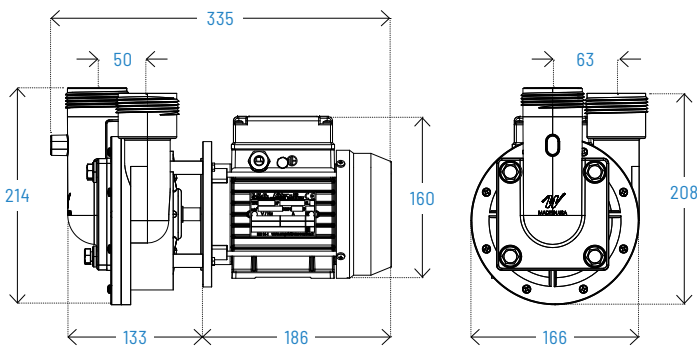
Pump part no 3410020-OX_CE

Description 1,5"x1,5"

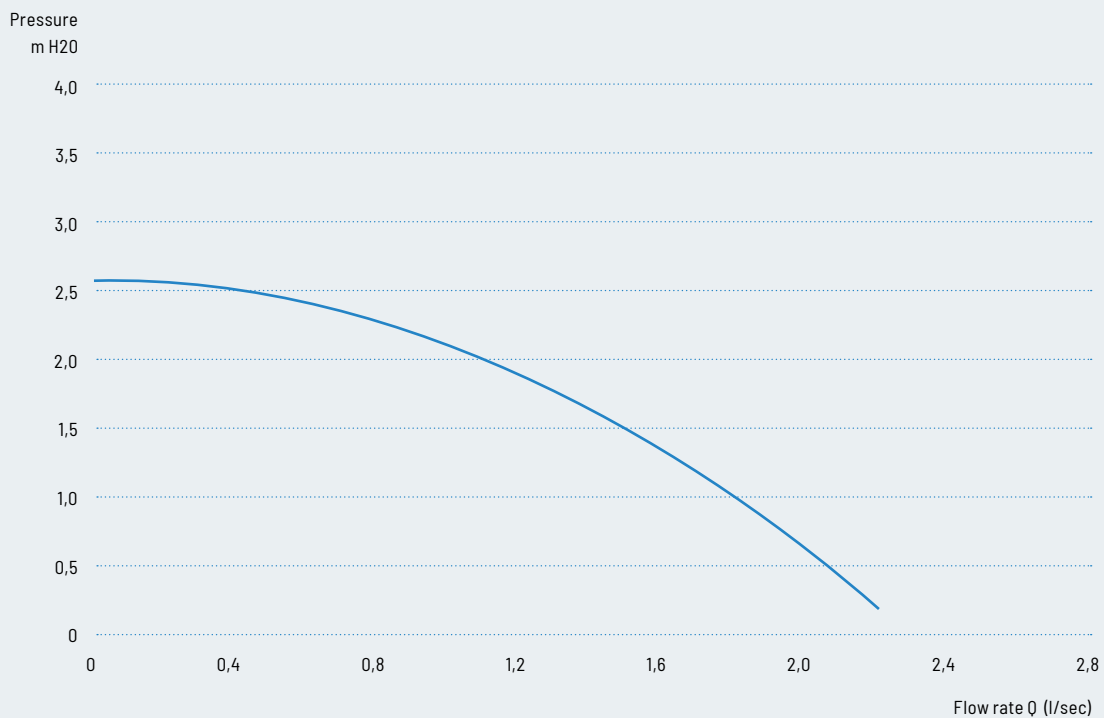
Wet-end part no 310-5070

kW max. P1 0,16

Amp max 1,6



Performance curve



Genesis Generation

Single speed

- Wet-end 1,5" union
- Motor MEC63/2, 230V / 50Hz CE IPX5
- Single speed 2820 RPM

Single speed

- Wet-end 1,5" union
- Motor MEC71/1, 230V / 50Hz CE IPX5
- Single speed 2820 RPM



Futura 3 – 3 speed

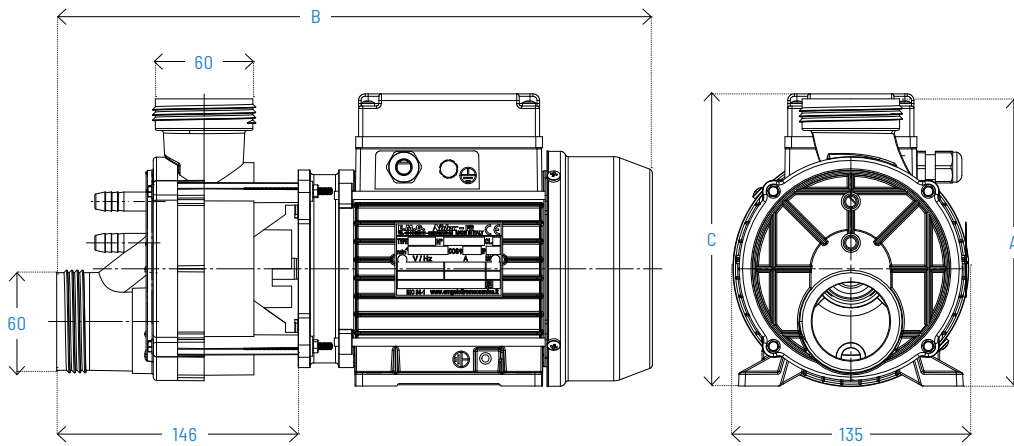
- Wet-end 1,5" union
- Motor MEC80, 230V / 50Hz CE IPX5
- 1ST ON – Pump starts on low speed 1400 RPM – OFF
- 2ND ON – Pump starts on medium speed 2200 RPM – OFF
- 3RD ON – Pump starts on high speed 2800 RPM – OFF
- 4TH ON – Pump starts in automatic mode. Motor switches automatically between low, medium and high speed to create a pulsating massage effect in the bath tub.



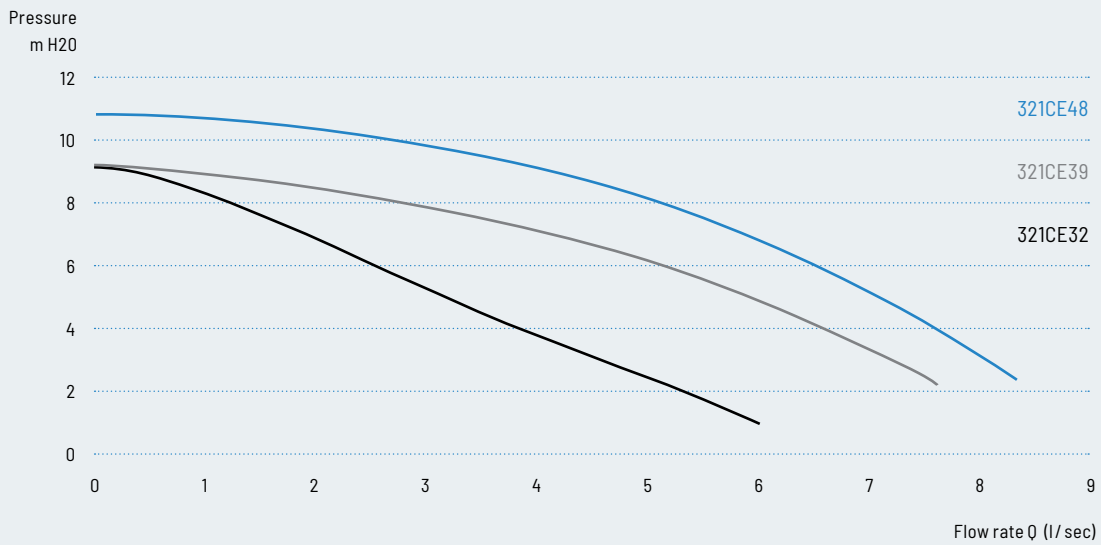
SPECS

Pump part no	Description	Wet-end part no	kW max. P1	Amp max.	A mm	B mm	C mm
321CE32	Self drain pump 1,5"x1,5" 1 speed	310-2160	0,65	2,85	170	330	160
321CE39	Self drain pump 1,5"x1,5" 1 speed	310-2170	0,65	2,85	170	330	160
321CE48	Self drain pump 1,5"x1,5" 1 speed	310-2190	1,29	5,7	170	360	175
321CEF3	Self drain pump 1,5"x1,5" 3 speed	310-2190	0,22 / 0,65 / 1	1,5 / 2,8 / 4,5	185	390	225

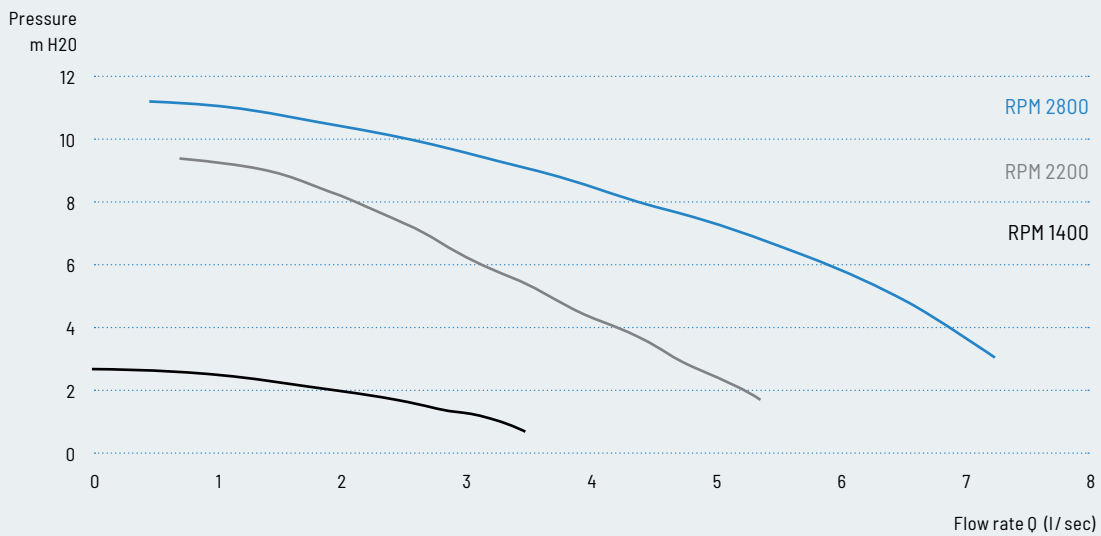
Bulk packaged 40 pcs. on pallettes, for single packaging with individual boxes (optional) add SP on the end of the part number



Single speed pump 50 Hz – Performance curves



3 speed pump – Performance curves



Euro Executive

Euro Executive 2" x 2" union

- TÜV approved
- Wet-end 2" x 2" union
- Motor MEC90, 230 V / 50 Hz, IPX5, CE
- Single speed version: 2800 RPM
- Two speed version: 2800 / 1420 RPM
- Low speed for filtration, High speed for massage



Euro Executive 2" x 2,5" union

- TÜV approved
- Wet-end 2" x 2,5" union
- Motor MEC90, 230 V / 50 Hz, IPX5, CE
- Single speed version: 2810 RPM
- Two speed version: 2800 / 1420 RPM
- Low speed for filtration, high speed for massage
- Larger intake union for better performance



Euro Executive Futura 2" x 2" union multiple speed pump

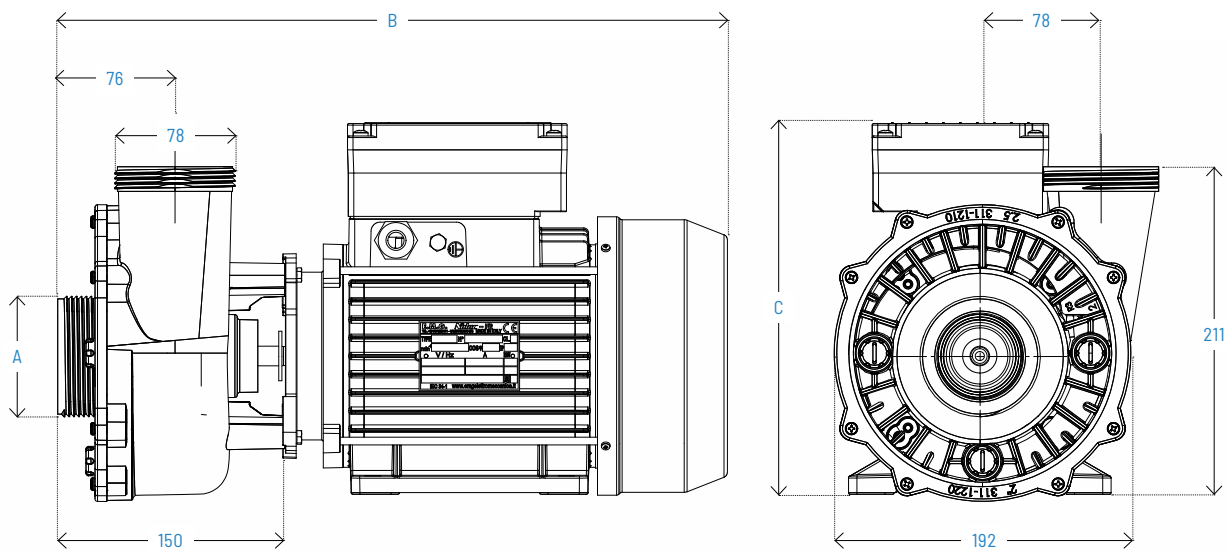
- Wet-end 2" x 2" union
- Motor MEC90, 230 V / 50 Hz, IPX5, CE
- 1ST ON – Pump starts on low speed 1400 RPM – OFF
- 2ND ON – Pump starts on medium speed 2200 RPM – OFF
- 3RD ON – Pump starts on high speed 2800 RPM – OFF
- 4TH ON – Pump starts in automatic mode. Motor switches automatically between low, medium and high speed to create a pulsating massage effect in the spa. This pump can be used to replace a single speed pump.



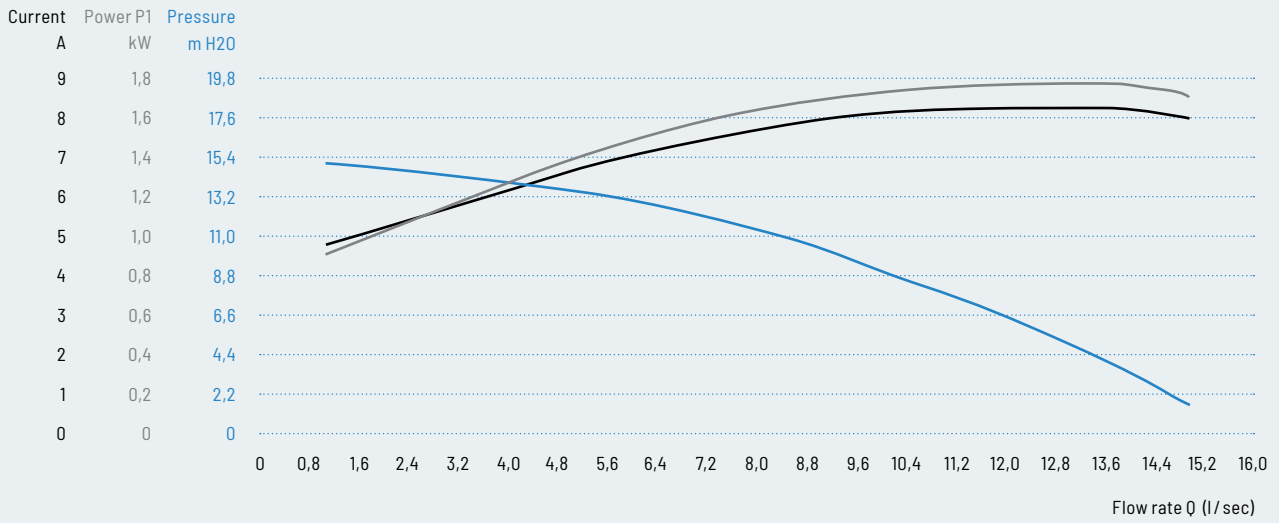
SPECS

Pump part no	Description	Wet-end part no	kW max P1	Amp max	A mm	B mm	C mm
PF-20-1N22X	2"x2" 1 speed	310-6970-SL	1,99	9	78	430	240
PF-20-2N22X	2"x2" 2 speed	310-6970-SL	1,96 / 0,36	8,6 / 1,6	78	430	240
PF-25-1N22X	2"x2" 1 speed	310-1750-SL	2,21	10,2	78	430	240
PF-25-2N22X	2"x2" 2 speed	310-1750-SL	2,38 / 0,43	10,8 / 2,0	78	430	240
PF-30-1N22X	2"x2" 1 speed	310-1760-SL	2,9	12,4	78	430	240
PF-30-2N22X	2"x2" 2 speed	310-1760-SL	2,71 / 0,55	12,5 / 2,5	78	450	240
PF-20-1N22X25	2"x2,5" 1 speed	310-1430-SL	1,99	9	93	430	240
PF-20-2N22X25	2"x2,5" 2 speed	310-1430-SL	1,96 / 0,36	8,6 / 1,6	93	430	240
PF-25-1N22X25	2"x2,5" 1 speed	310-1510-SL	2,21	10,2	93	430	240
PF-25-2N22X25	2"x2,5" 2 speed	310-1510-SL	2,38 / 0,43	10,8 / 2,0	93	430	240
PF-30-1N22X25	2"x2,5" 1 speed	310-1770V-SL	2,9	12,4	93	430	240
PF-30-2N22X25	2"x2,5" 2 speed	310-1770V-SL	2,71 / 0,55	12,5 / 2,5	93	450	240
PF43N22X	2"x2" 3 speed	310-6970-SL	0,32 / 1,0 / 1,55	2,34 / 4,7 / 7,9	78	430	240

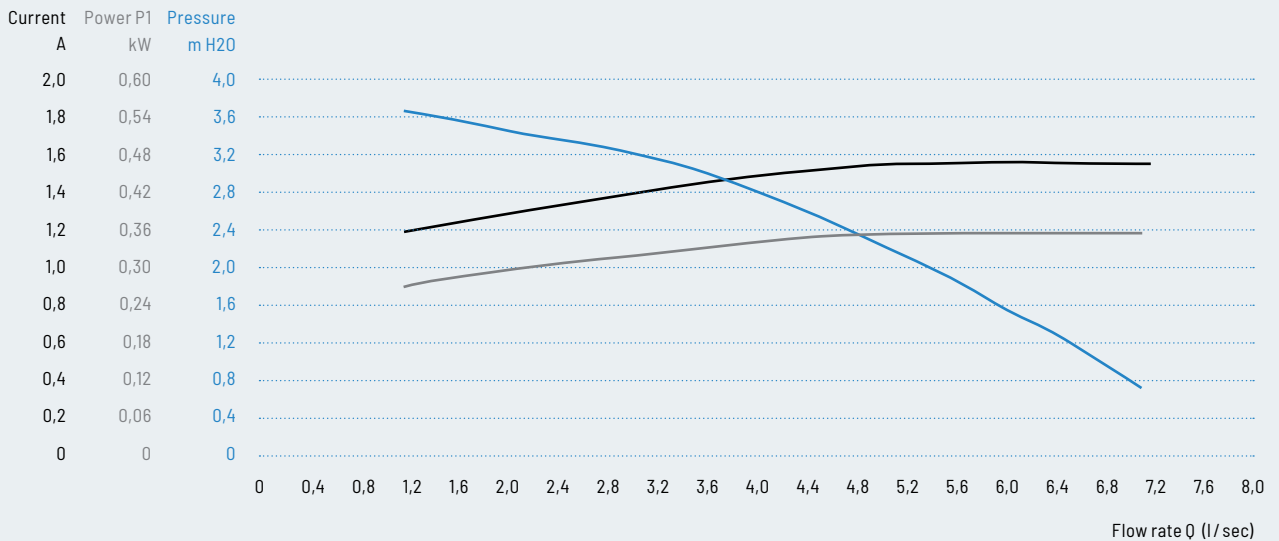
Bulk packaged 40 pcs. on pallettes, for single packaging with individual boxes (optional) add SP on the end of the part number



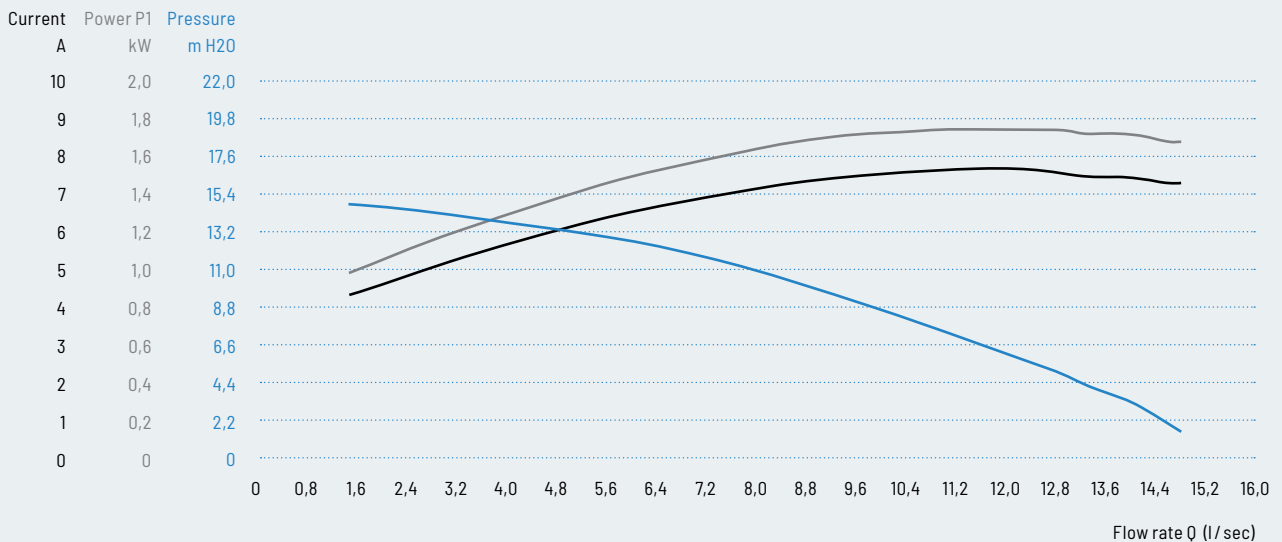
Euro Executive PF-20-1N22X – Performance curves



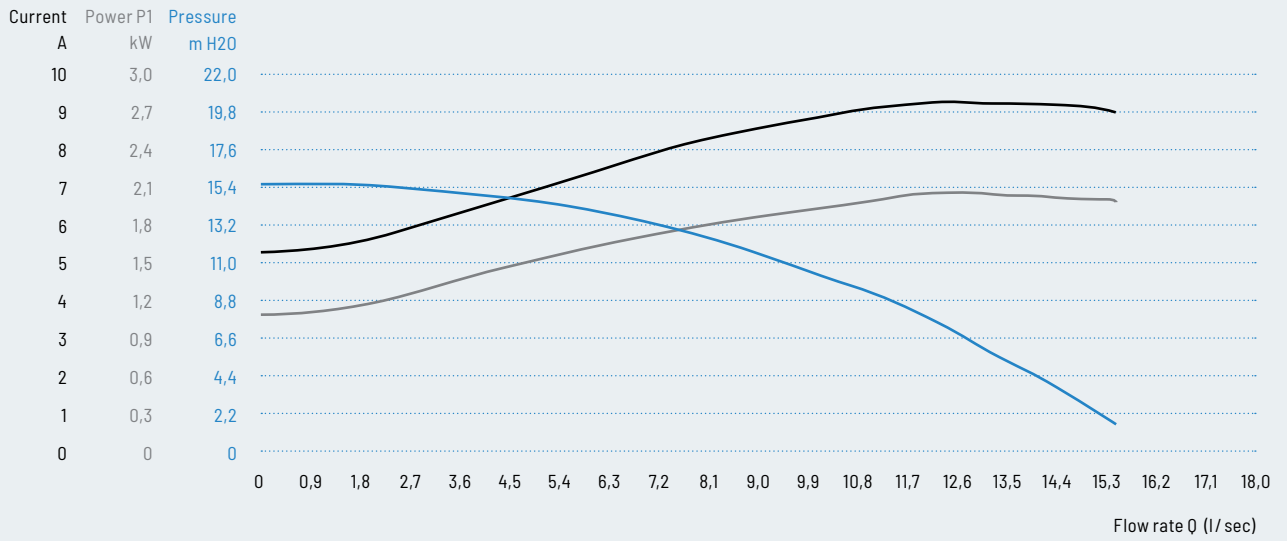
Euro Executive PF-20-2N22X low speed – Performance curves



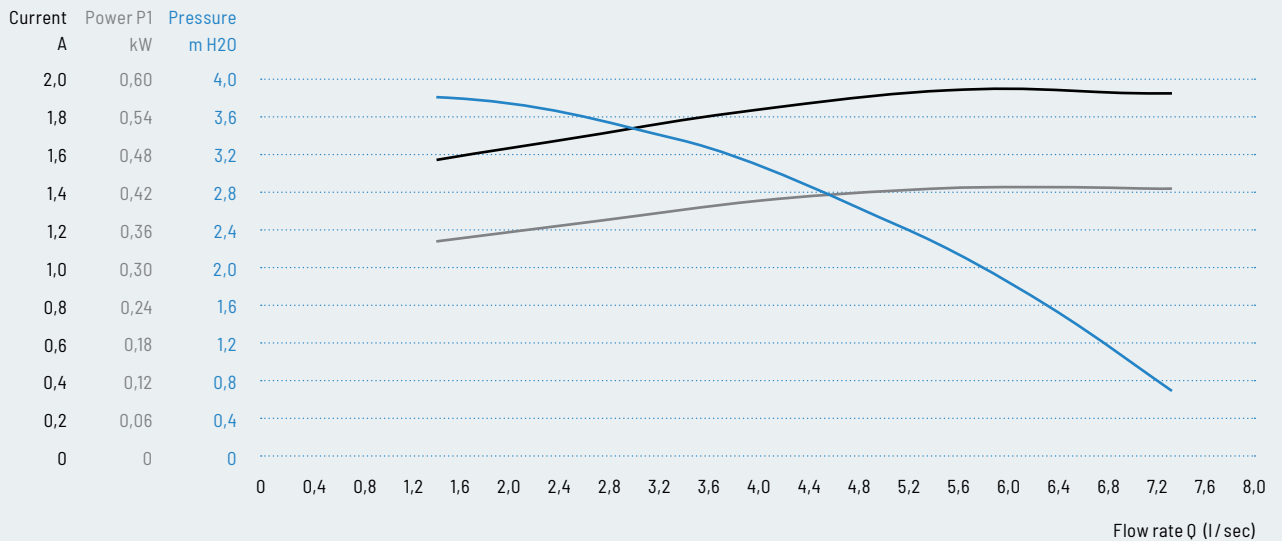
Euro Executive PF-20-2N22X high speed – Performance curves



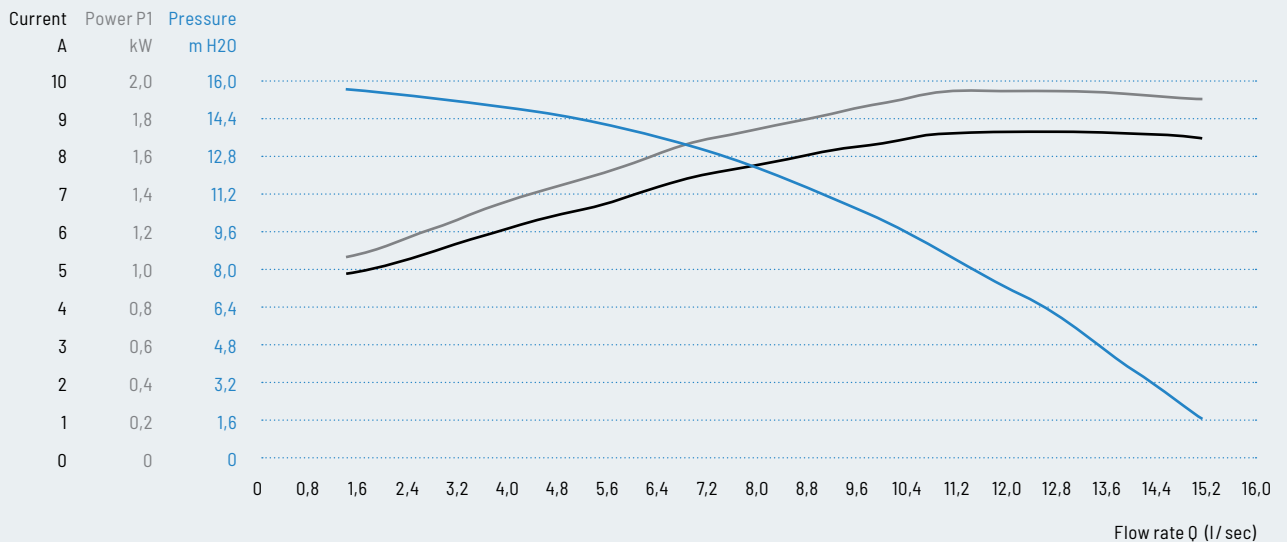
Euro Executive PF-25-1N22X – Performance curves



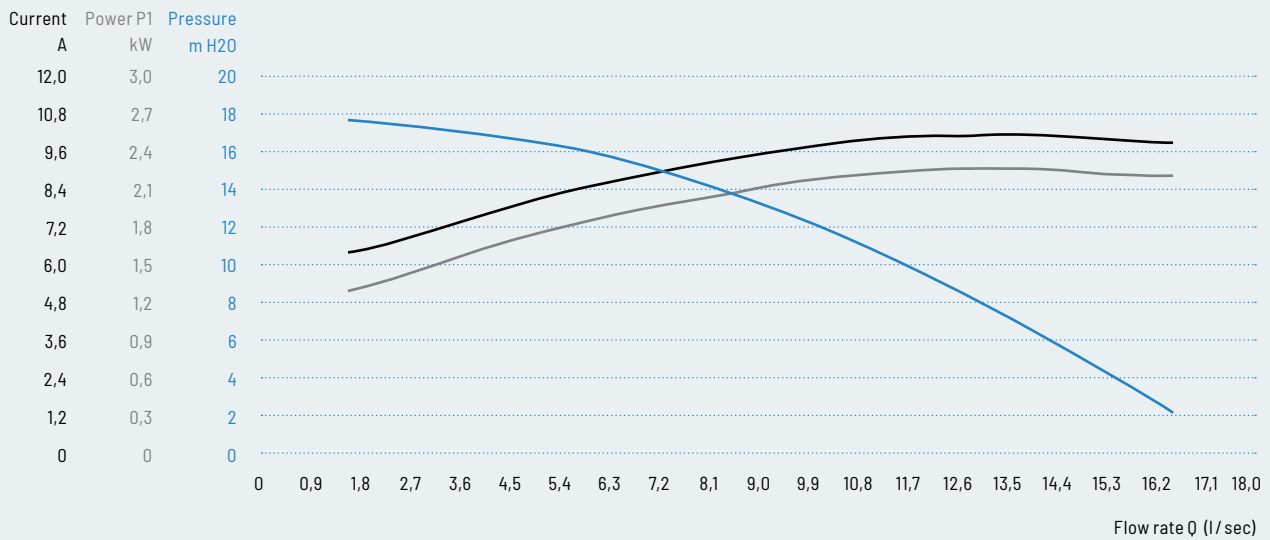
Euro Executive PF-25-2N22X low speed – Performance curves



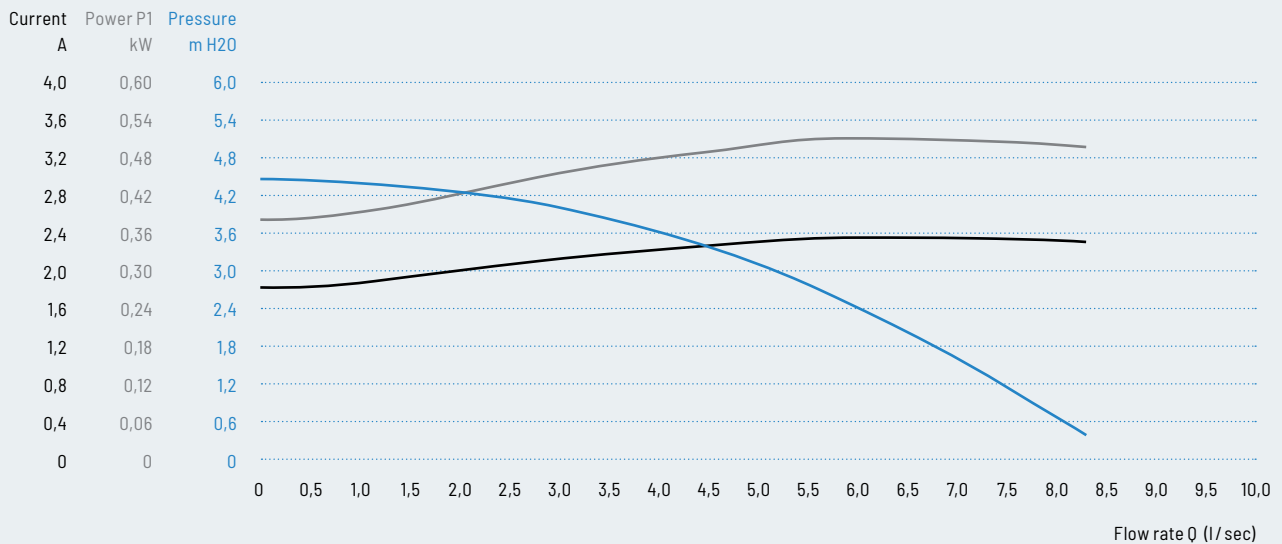
Euro Executive PF-25-2N22X high speed – Performance curves



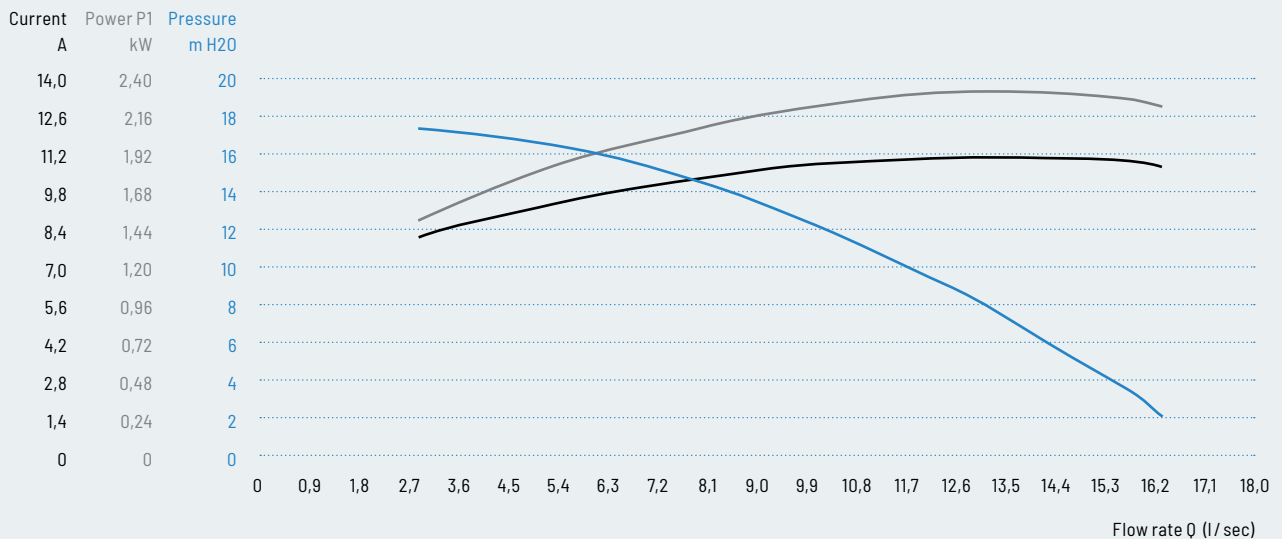
Euro Executive PF-30-1N22X – Performance curves



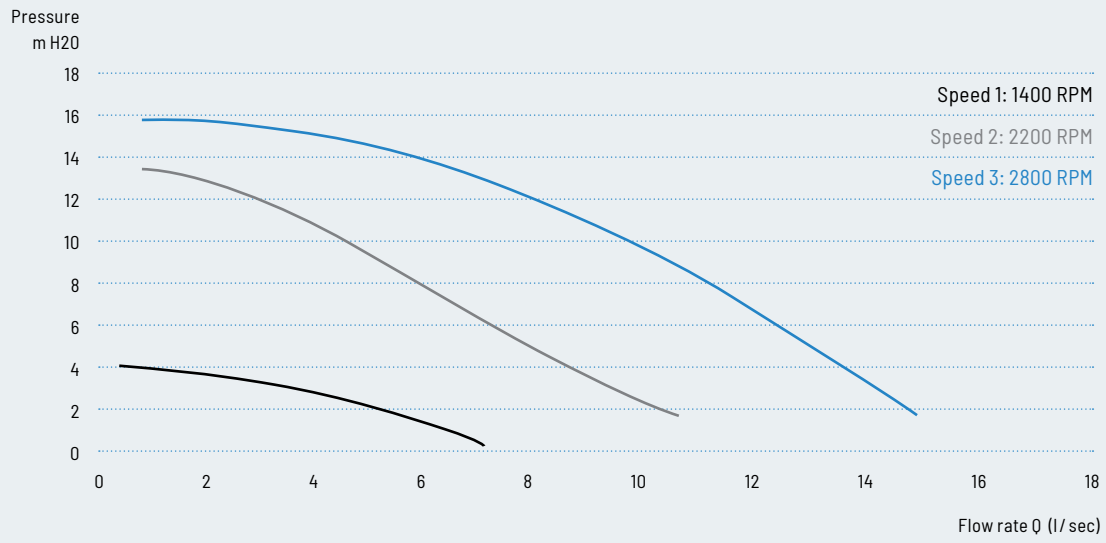
Euro Executive PF-30-1N22X low speed – Performance curves



Euro Executive PF-30-1N22X high speed – Performance curves



Futura 3 PF43N22X – Performance curves



Euro Viper



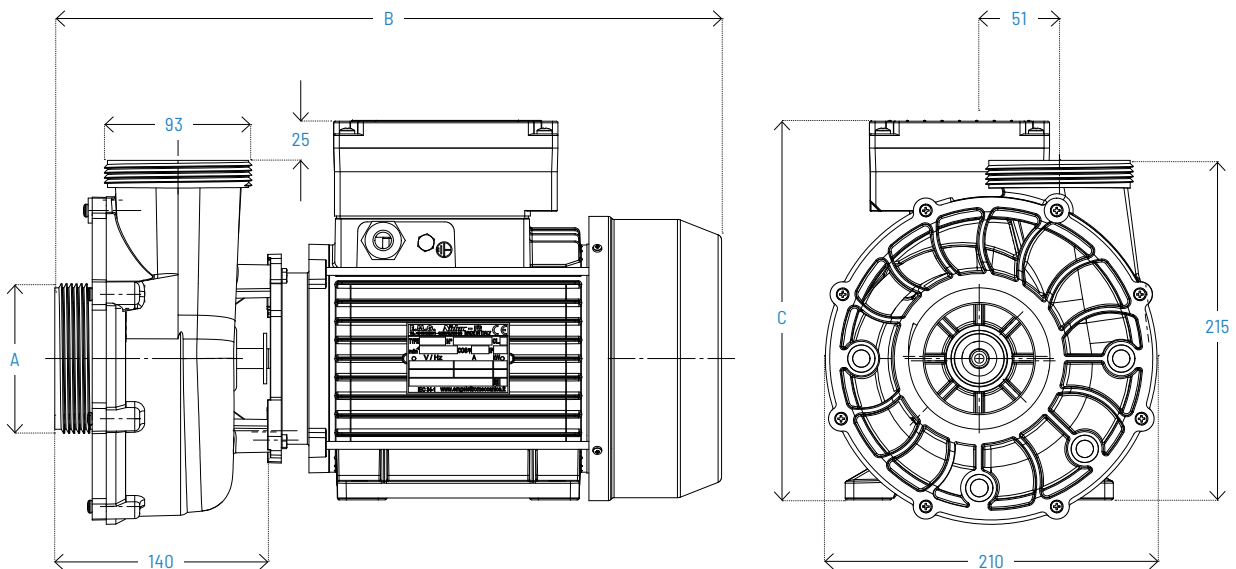
- Single speed and two speed pump, TÜV Approved
- Wet-end 2,5" x 2,5" union
- Motor MEC90, 230 V / 50 Hz CE IPX5
- Single speed version 2850 RPM
- Two speed version 2800 / 1420 RPM
- High volume pump for swim systems



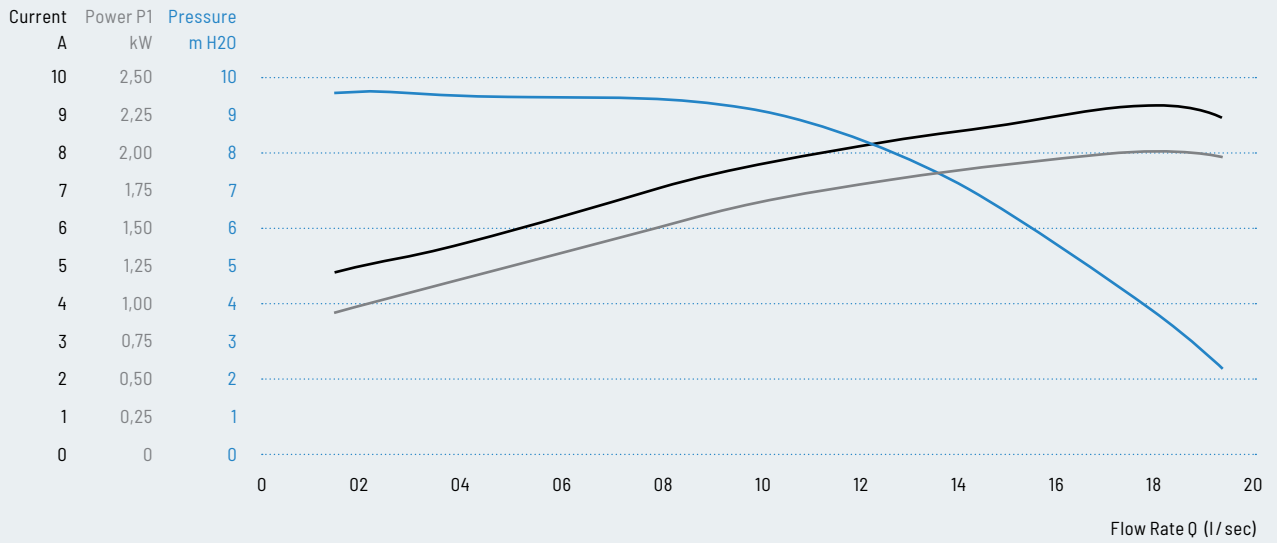
SPECS

Pump part no	Description	Wet-end part no	kW max P1	Amp max	A mm	B mm	C mm
PV-30-1N22X	2,5" x 2,5" single speed	310-0180	2,9	12,4	93	430	240
PV-30-2N22X	2,5" x 2,5" two speed	310-0180	2,71/ 0,55	12,5/ 2,5	93	430	240

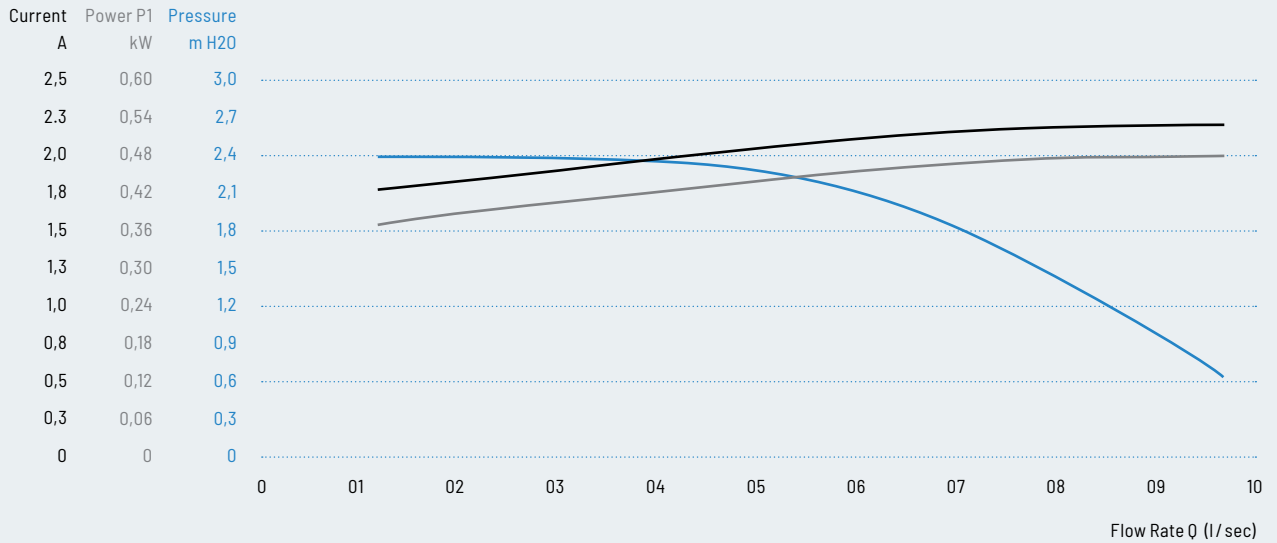
Bulk packaged 40 pcs. on pallettes, for single packaging with individual boxes (optional) add SP on the end of the part number



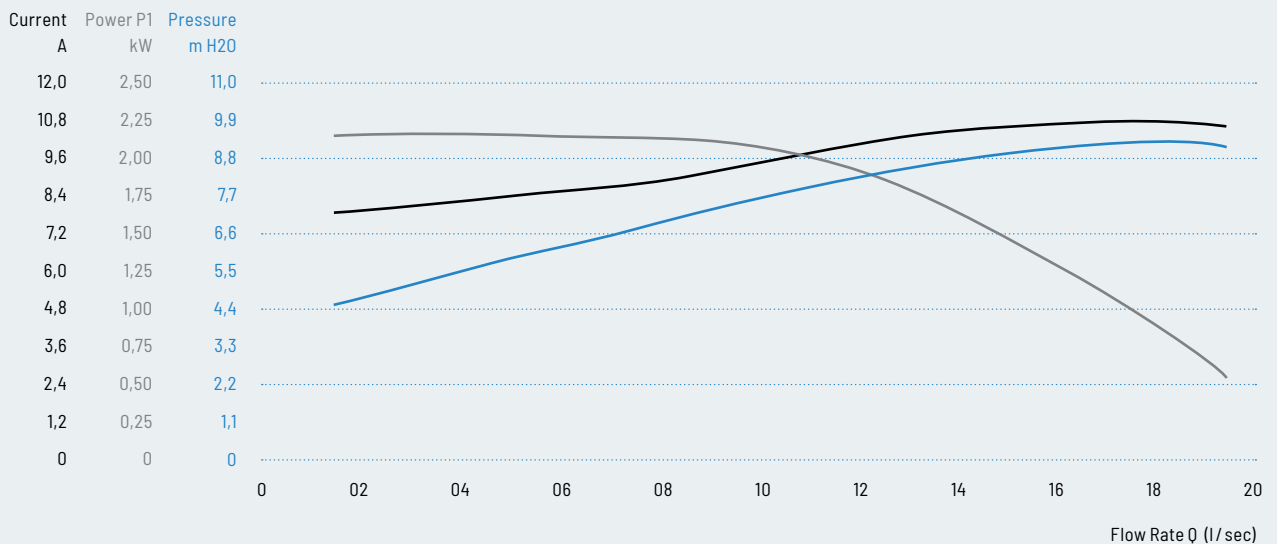
Viper PV-30-1N22X – Performance curves



Viper PV-30-2N22X – Low speed – Performance curves



Viper PV-30-2N22X – High speed – Performance curves



Champion

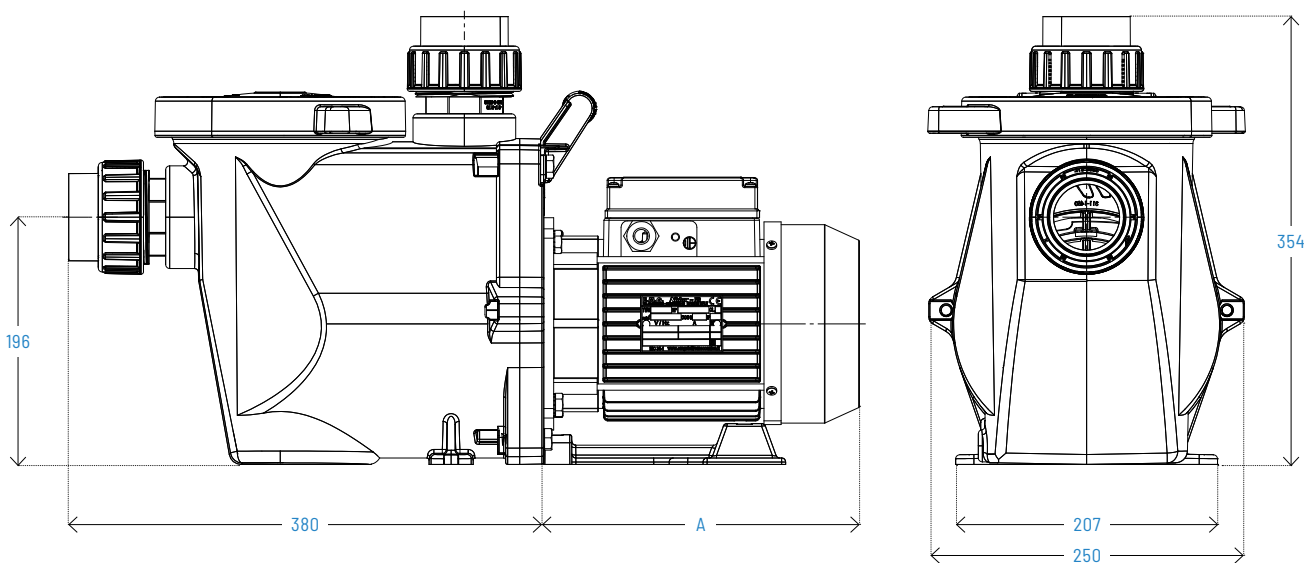
- Self-priming pool pump
- Single speed and two speed pump
- Wet-end 2" x 2" FPT, 2" unions incl.
- Motor, 230 V / 50 Hz, IPX5, CE 2850 RPM
- Pump with large trap basket (pre filter) with clear cam lock lid.



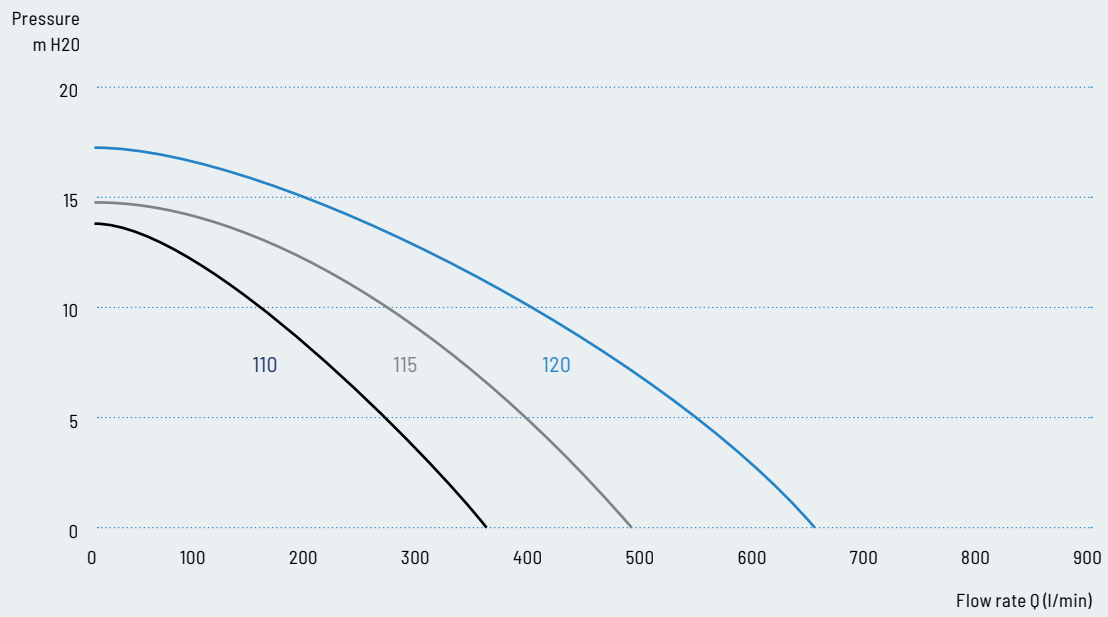
SPECS

Pump part no	Descr.	Wet-end part	kW max P1	Amp max	A mm
CHAMPE-110CE	1 HP	310-7300	0,93	4,3	230
CHAMPE-115CE	1,5 HP	310-7310	0,93	4,3	230
CHAMPE-120CE	2 HP	310-7320	1,88	8,6	270

Bulk packaged on pallets 18 pcs, for single packaging with individual boxes (optional) add SP on the end of the pump part number



Performance curves



Power Defender 300



Built-in programmable user interface with timer

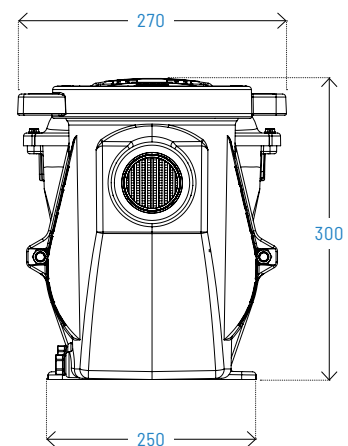
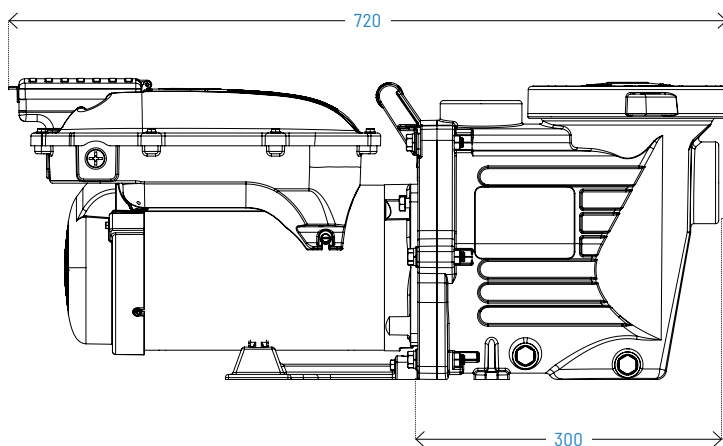


Adjustable base included
675-1380

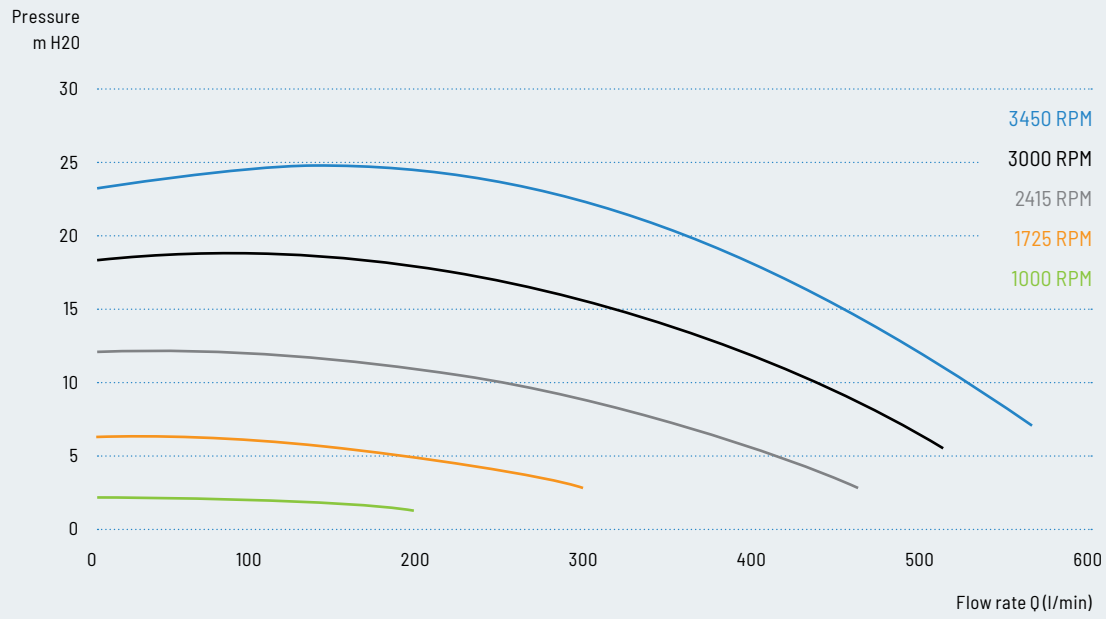
- Built-in and programmable variable frequency drive that can be rotated 180° for easy servicing
- Direct drop-in for other manufacturer's single, 2-speed or variable speed pumps
- Proven performance wet end with large trap basket & easy access two-piece lid
- Simple programming with up to 4 scheduled filter setting
- Silicone carbide seals, Viton bellows, 316SS casing for superior protection from bromine, chlorine, hydrogen peroxide
- 2" Swivel unions (included)
- Speed range: 500 to 4000 RPM capability (500 to 3450 RPM by default)
- Control inputs: 0–10 V, 4–20 mA, 4 discrete inputs
- Onboard power factor correction

SPECS

Pump part no	PD-VSC300
Description	3 HP motor 230 V / 50 Hz, IP44, CE
Wet-end part no	310-PD300
kW max. P1	2,25 kW
Amp max	13,5 A



Performance curves





400-1940
1" union x 3/4" RB · with O-ring



400-4817
1,5" union x 32 mm SPG · low pro tee assembly
with o-ring



400-1990
1" union x 1" S · with o-ring



400-4827
1,5" union x 50 mm S · tee assembly
with o-ring



417-6127
Metric reducer 1" spg x 32 mm S



400-4837
1,5" union x 50 mm SPG · tee assembly



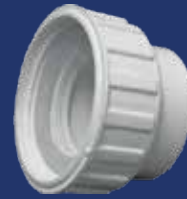
400-4097
1,5" union x 32 mm S · low pro tee assembly
with o-ring



400-4250
1,5" union x 26 mm SB · tee assembly · with o-ring



400-2017
1,5" union x 50 mm S · assembly · with o-ring



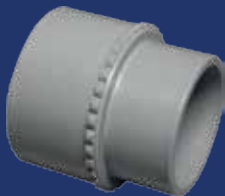
400-5670
2" union x 2" S
with o-ring gasket



400-4060
1,5" union x 1,5" S · assembly · with o-ring



400-4300
2" union with 2" spg 45° and o-ring



417-6137
Adapter 1,5" spg x 50 mm S



400-5800
2" union
with 2" S sweep
EII 90° and o-ring

400-5820
2" union
With 2" S sweep EII 90° and
o-ring gasket



400-5570
2" union x 2" S
with o-ring



400-5171
2" Split nut (repair)



400-6010
2,5" union · 2,5" S with o-ring



415-6010
Threaded adapter 2,5" union x 2" union with o-ring to convert 2" union pump intakes to 2,5" union pump intakes



400-5990
2,5" union · 2" S with o-ring



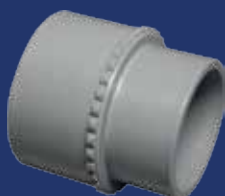
400-4481-CPVC
100 % CPVC 18 degree Swivel union assembly – 2" S x 2" spigot
Includes o-ring (teflon tape or teflon paste not needed)



421-4070
Reducer 2" spg x 1,5" S



672-1160
Universal floating pump base 9" x 9" / 230 x 230 mm



417-6197
Adapter 2" spg x 63 mm S



672-1320
Pump base for MEC90 motors, pair of 2 pcs.

In addition to the pump accessories, Waterway Europe stocks a full range of Waterway jets, skimmers, suction, valves, water features and all the plumbing parts required for spa assembly. We have over 10.000 different items in stock in Germany for the European Market, resulting in short lead times for most items.





Waterway Europe
Londonstrasse 14
97424 Schweinfurt
Germany

Phone +49 9721 299100
Fax +49 9721 299200
info@waterwayeurope.com
www.waterwayeurope.com

